

FEATURES

- The valve offers full environmental protection against the ingress of liquids, dusts and other foreign matter (environmentally protected construction).
- Version can be installed in all sensitive zones (white rooms, etc..)

GENERAL

Fluid	Air or neutral gas, filtered, lubricated or not
Operating pressure	0 to 10 bar
Pilot pressure	2 to 10 bar
Ambient temperature	-25°C to +60°C
Flow (Qv at 6 bar)	See "specifications"

CONSTRUCTION

Body	Black anodized aluminium
Internal parts	Zinc diecasting, steel, POM (polyacetal), aluminium
Seals	NBR (nitrile) and PUR (polyurethane)



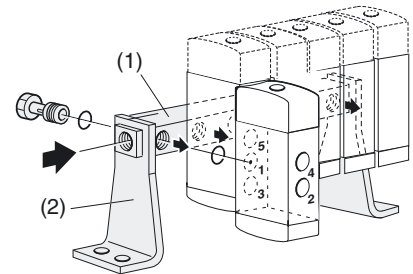
SPECIFICATIONS

symbol function	operator		pipe size	flow		catalogue number
	pilot (12)	return (10)		at 6 bar l/min (ANR)	coef. Kv	
	Air operated	Spring	G 1/4	860	12,5	G551A117
			G 3/8	3000	41,5	G552A117
			G 1/2	3800	52,5	G553A117
	Air operated	Air operated	G 1/4	860	12,5	G551A118
			G 3/8	3000	41,5	G552A118
			G 1/2	3800	52,5	G553A118

ACCESSORIES - (identical for 3/2 and 5/2 spool valves)

- Supply rail (1)
(supplied with seals and banjo bolts, without mounting brackets)
- 2 mounting angle brackets (2) for supply rail
catalogue number: **88100049** (series 551) - **88100773** (552-553)

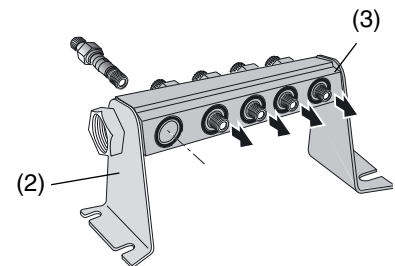
supply rail for « n » valves	catalogue number		
	551	552	553
2	88100034	88100800	88100759
3	88100035	88100801	88100760
4	88100036	88100802	88100761
5	88100037	88100803	88100762
6	88100038	88100804	88100763
7	88100039	88100805	88100764
8	88100040	88100806	88100765



(1) or (3) supply rail
(2) mounting brackets (x2)

- Supply rail with isolation valves (3) and mounting brackets (2) allows the isolation of one or more valves from the general pressure supply

supply rail G 1/ for « n » valves series 551	catalogue number
2	88100915
3	88100916
4	88100917
5	88100918
6	88100919
7	88100920
8	88100921

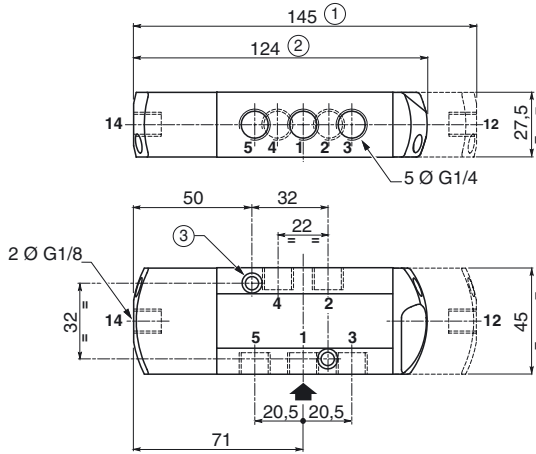


OPTIONS

- Air operated 3/2 NAMUR subbase mounted version (see page P562-2)
- Equipment for use in potentially **explosive atmospheres** caused by dusts or gases (ATEX Directive 94/9/EC)
Classification II 2 GD c Ta60°C T85°C (T6) : **GD** suffix - example: G551A117GD

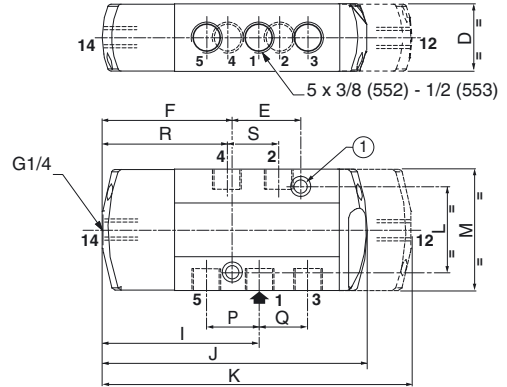
DIMENSIONS (mm), WEIGHT (kg)

Series 551



- 1 = Pressure
- 2,4 = Outlets
- 3,5 = Exhausts
- 12 = Return
- 14 = Pilot

Series 552 - 553



- ① air return
- ② spring return
- ③ 2 fixing holes : Ø 5,3 counterbore : Ø 9, depth 5

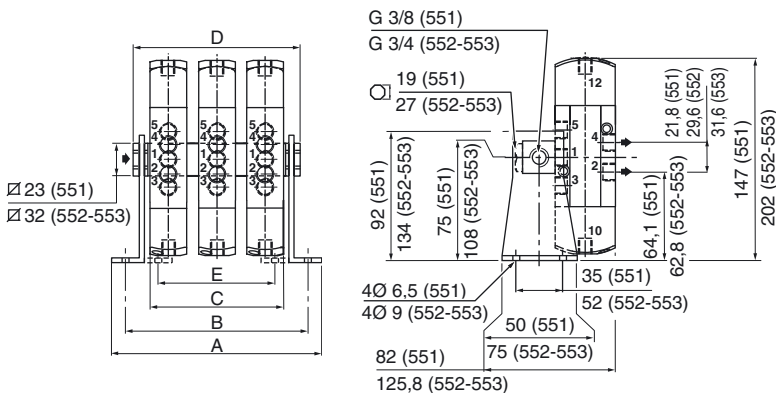
- ① 2 fixing holes Ø 6,5; counterbore : Ø 11, depth 6 mm
- dimension J: spring return
- dimension K: air return

series	weight	
	monostable	bistable
551	0,31	0,40

series	D	E	F	I	J	K	L	M	P	Q	R	S	weight	
													monostable	bistable
552	40,2	43	78,5	93,5	161,5	189	51	72,3	29,6	29,7	76	29,6	0,80	1,25
553	40,2	43	78,5	94,5	161,5	189	51	72,3	31,6	31,8	75	31,6	0,79	1,24

ASSEMBLY WITH SUPPLY RAIL

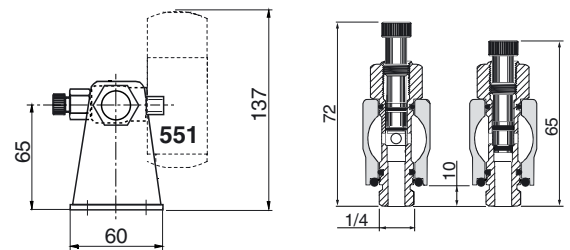
Installation without isolation valve



Installation with isolation valve

Barreau d'alimentation

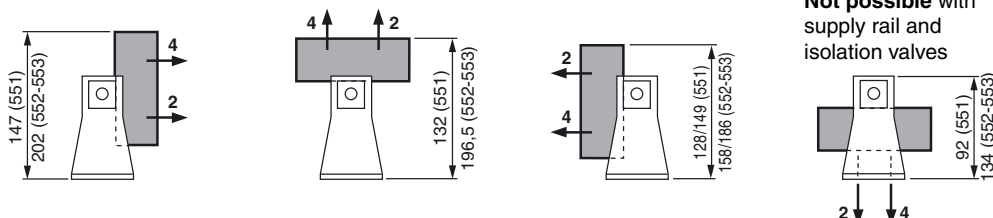
Robinet d'isolement



series 551	number of valves							
	2	3	4	5	6	7	8	
A	108	136	164	192	220	248	276	
B	92	120	148	176	204	232	260	
C	55	83	111	139	167	195	223	
D	78	106	134	162	190	218	246	
E	42	70	98	126	154	182	210	
	weight							
monostable	1,0	1,3	1,6	2,0	2,3	2,6	2,9	
bistable	1,1	1,5	2,0	2,4	2,8	3,2	3,6	

series 552-553	number of valves							
	2	3	4	5	6	7	8	
A	136	177	218	259	300	341	382	
B	116	157	198	239	280	321	362	
C	81	122	163	204	245	286	327	
D	117	158	199	240	281	322	363	
E	-	-	-	-	-	-	-	
	weight							
monostable	2,3	3,2	4,2	5,2	6,2	7,1	8,2	
bistable	2,6	3,8	5,0	6,2	7,4	8,5	9,4	

This mounting arrangement allows valves to be mounted in any of 4 positions.



Only with supply rail with isolation valves (Series 551)

