

**SPECIFICATIONS**

FLUID : air or neutral gas, filtered, lubricated or not  
 PORTS : G 1/4  
 PRESSURE : 0 to 10 bar  
 TEMPERATURE : - 25°C to + 60°C  
 FLOW (Qv at 6 bar) : 860 l/min (ANR)

**CONSTRUCTION**

Environmentally-protected construction  
 Body: treaded aluminium  
 Internal parts: zinc diecasting, steel,  
 stainless steel, acetal (POM)  
 Sealings: nitrile (NBR) and polyurethane (PUR)

For 3/2 NC connection  
 1 = Pressure  
 2 = Outlet  
 3 = Exhaust



**CHOICE OF EQUIPMENT**

Symbols functions	Operators		CODES
	Pilot	Return	
<b>LEVER OPERATED</b>			
	Lever - Lever detented		55102088
	Lever	Spring	55102089
<b>PEDAL OPERATED</b>			
	Pedal 2 positions		55102090
	Pedal	Spring	55102091
<b>BUTTON OPERATED</b>			
	Button	Spring	55102082
	Button push-pull		55102083

Note: do not connect the pressure supply to the exhaust port 3. For a "distributing" function or use in NO function, consult us.

These products exist in versions 5/2 and 5/3 - see following pages

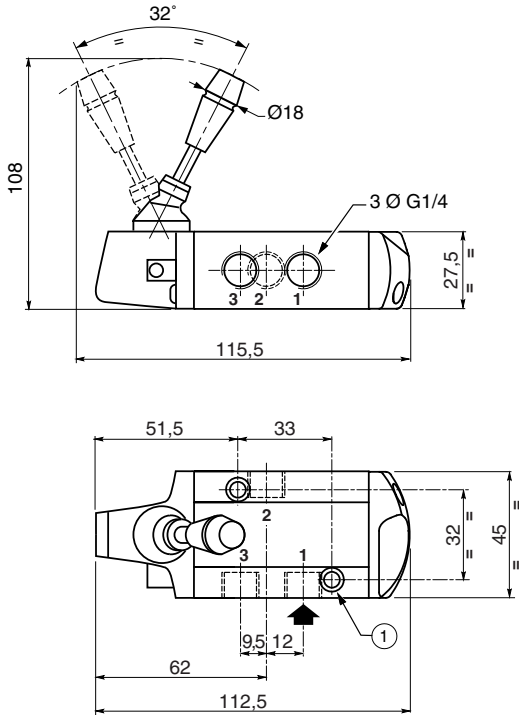
00403GB-2009/R01  
 Availability, design and specifications are subject to change without notice. All rights reserved.

G

## DIMENSIONS AND WEIGHTS

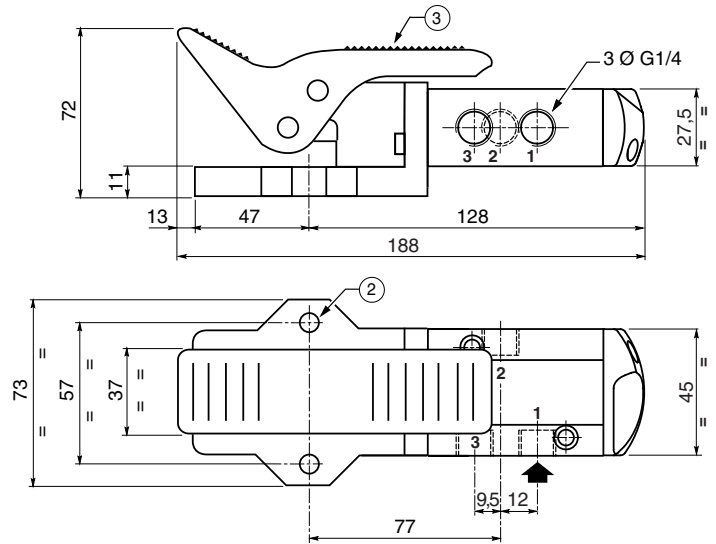
### VALVE LEVER OPERATED

Weight: 0,360 kg



### VALVE PEDAL OPERATED

Weight: 0,515 kg



- ① 2 fixing holes : Ø 5,3 - counterbore : Ø 9, dept 5
- ② 2 fixing holes : Ø 8,5
- ③ Return pedal 2 positions

## BUTTON

### BUTTON PUSH-PULL

Weight: 0,230 kg

