

**SPECIFICATIONS**

FLUID : air or neutral gas, filtered,  
lubricated (G 3/8) or not (G 1/4)  
PORTS : G 1/4 - G 3/8  
PRESSURE : 0 to 10 bar  
TEMPERATURE : - 25°C to + 60°C  
FLOW (Qv at 6 bar) : see table below

**CONSTRUCTION**

**series 551**

Environmentally-protected construction  
Body G 1/4, treated aluminium  
Internal parts: zinc diecasting, steel, stainless steel, acetal (POM)  
Sealings: nitrile (NBR) and polyurethane (PUR)

**series 552**

Body G 3/8, in light alloy  
Internal parts: stainless steel, light alloy  
Sealings: nitrile (NBR)



1 = Pressure  
2,4 = Outlets  
3,5 = Exhausts

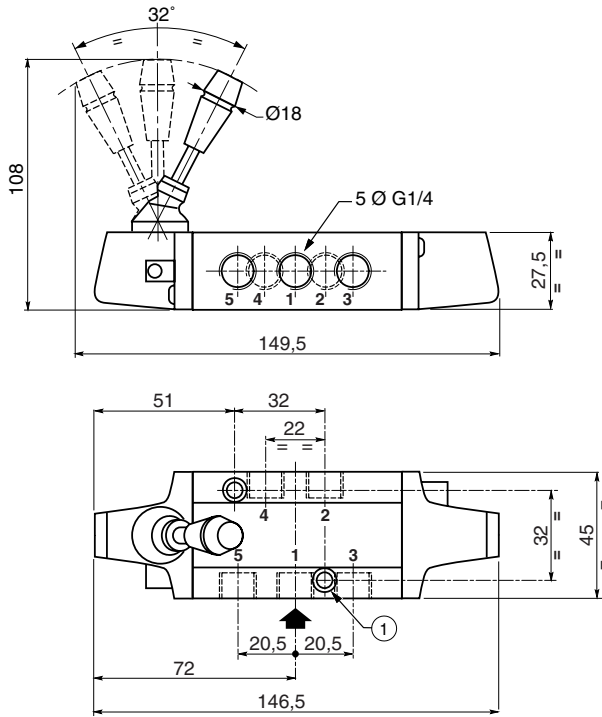
**CHOICE OF EQUIPMENT**

	Symbols functions	Operators	Ø ports	Flow at 6 bar l/min (ANR)	CODES
5/3 closed position (W1)		Lever 3 positions detented (W1)	G 1/4	760	<b>55102096</b>
			G 3/8	1610	<b>55200038</b>
		Lever 3 positions spring to centre (W1)	G 1/4	760	<b>55102097</b>
			G 3/8	1610	<b>55200039</b>
5/3 open position to exhaust (W3)		Lever 3 positions detented (W3)	G 1/4	760	<b>55102098</b>
		Lever 3 positions spring to centre (W3)	G 1/4	760	<b>55102099</b>

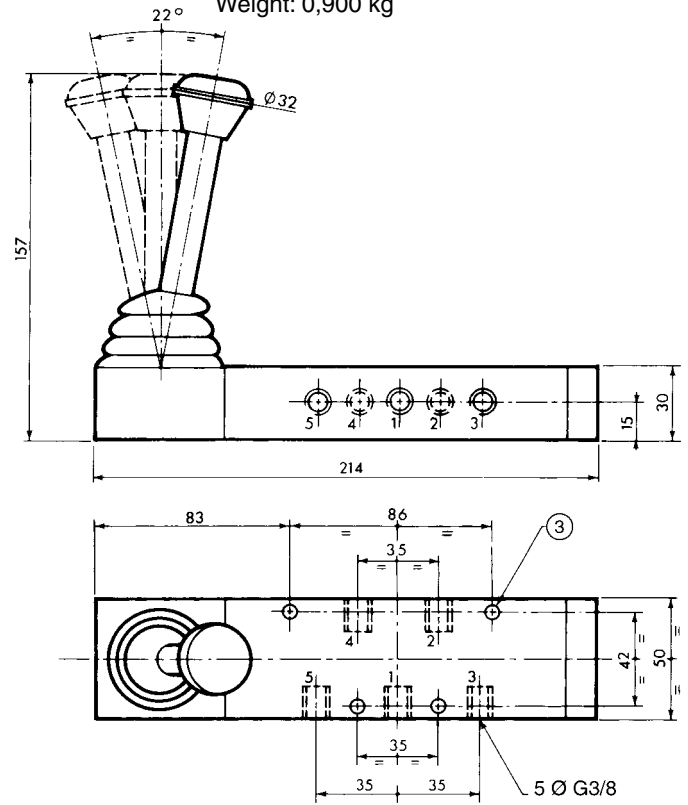
**G**

**DIMENSIONS AND WEIGHTS**  
VALVE LEVER OPERATED

**Series 551:** ports G 1/4  
Weight: 0,510 kg



**Series 552 :** ports G 3/8  
Weight: 0,900 kg



- ① 2 fixing holes: Ø 5,3 - counterbore : Ø 9, depth 5
- ③ 4 fixing holes: Ø 5,5