

FEATURES

- High Exhausts downstream air when shifted to the closed position
- Colored bright yellow with a red knob
- Can be locked in the closed position with a padlock
- Slo-Start™ feature prolongs life of downstream pneumatic components on VT version
- Detented spool
- Low-friction seals
- Meets OSHA specifications
- Surface mountable

SPECIFICATION

FLUID	: Compressed air or neutral gas, filtered
PORTS	: G3/8 to G2
MAX. PRESSURE	: 10 bar
MAX. FLOW	: see table below
OPERATING TEMPERATURE	: 4°C, +50°C



Note: Units should be installed downstream of filtration equipment to avoid damage from backflow.

CHOICE OF EQUIPMENT

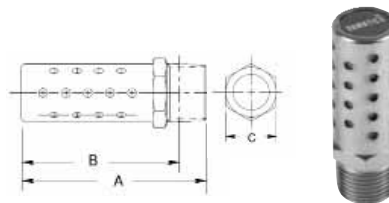
type	pipe size		flow		catalogue number	
	in/out	exhaust	in-out	exhaust	VL manual lockout valve	VT manual lockout soft start valve
32	3/8	3/8	5,0	5,5	VL32G03Y	VT32G03Y
32	1/2	1/2	6,0	6,0	VL32G04Y	VT32G04Y
32	3/4	3/4	8,3	6,0	VL32G06Y	VT32G06Y
40	3/4	3/4	13,5	11,0	VL40G06Y	VT40G06Y
40	1	1	18,2	14,9	VL40G08Y	VT40G08Y
40	1 1/4	1	19,1	14,9	VL40G10Y	VT40G10Y
40	1 1/2	1	20,3	16,3	VL40G12Y	VT40G12Y
42	3/4	1	11,5	9,0	VL42G06Y	VT42G06Y
42	1	1	12,5	10	VL42G08Y	VT42G08Y
52	1 1/2	1	24	16	VL52G12Y	VT52G12Y
52	2	1	24	16	VL52G16Y	VT52G16Y

ACCESSORIES

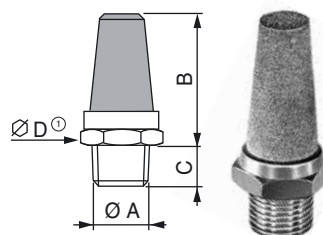
Scissor Lockout	
cat. number	Application
VB1	for Manual Lockout Valve



Metal Silencer					
cat. number	Ø	A	B	C	Flow at 6.2 bar CV
M3MB	G3/8	57,2	50,8	17,5	5,1
M4MB	G1/2	69,1	61,1	22,2	7,3
M5MB	G3/4	80,2	71,4	27,0	13,9
M6MB	G1	98,4	88,1	33,3	19,5

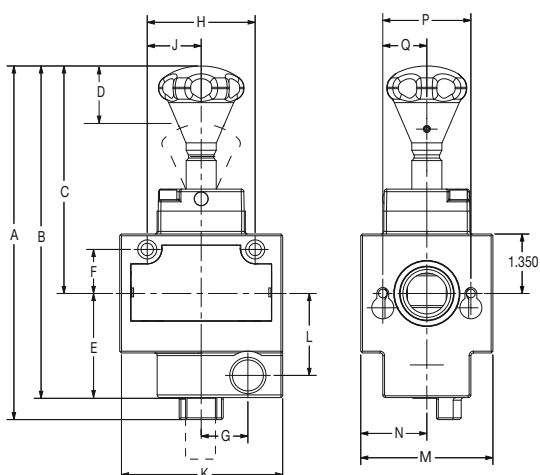


Silencer with Hexagonal Collar					
cat. number	ØA	B	C	D	weight
34600003	G3/8*	49,2	8,8	24	0,030
34600004	G1/2*	54,6	11,4	27	0,070
34600005	G3/4*	82,3	12,7	36	0,300
34600006	G1*	93,5	14,5	50	0,400

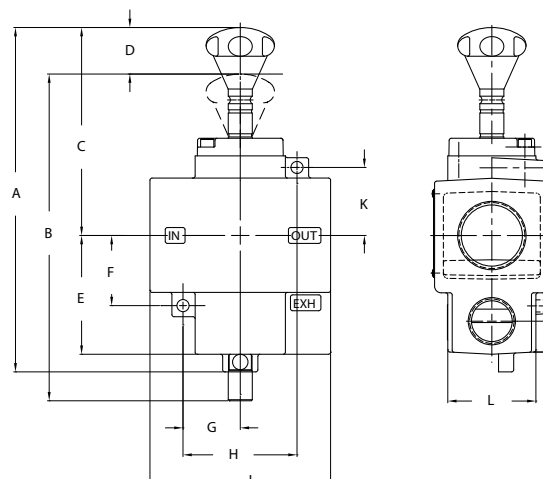


* taper

VL32 & VT32 Series Valves



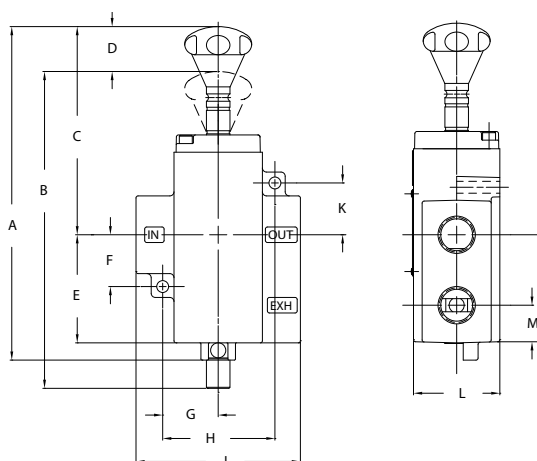
VL52 & VT52 Series Valves



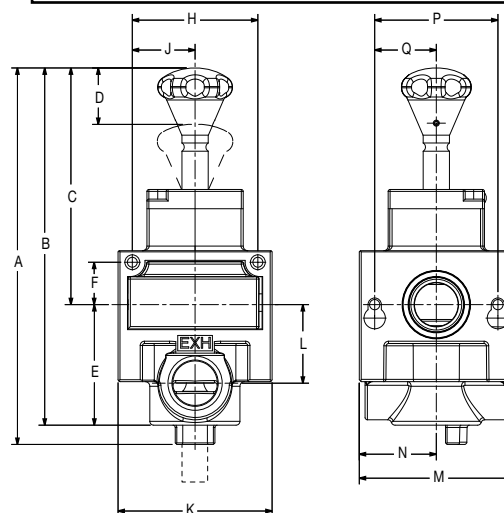
Dimensions [mm], weight [kg]

Series	A	B	C	D	E	F	G	H	J	K	L	M	N	P	Q	weight [kg]
VL32	204,0	191,8	131,3	24,4	59,9	25,4	26,9	62,2	31,1	93,0	47,2	76,2	38,1	50,8	25,4	1,23
VT32	237,2	225,0	164,3	26,7	59,9	25,4	26,9	25,4	31,1	93,0	47,2	76,2	38,1	50,8	25,4	1,39
VL52	248,2	235,5	149,9	33,5	85,9	50,8	41,4	82,6	120,9	38,1	63,5	27,7	79,5	-	-	1,87
VT52	291,3	278,6	192,8	33,5	85,9	50,8	41,4	82,6	120,9	38,1	63,5	27,7	79,5	-	-	2,50

VL & VT40 Series Valves



VL & VT42 Series Valves



Dimensions [mm], weight [kg]

Series	A	B	C	D	E	F	G	H	J	K	L	M	N	P	Q	weight [kg]
VL40	247,7	235,5	155,4	33,0	79,5	38,1	41,3	82,6	120,9	38,1	63,5	27,7	79,5	-	-	2,00
VT40	290,8	278,6	198,6	33,0	79,5	38,1	41,3	82,6	120,9	38,1	63,5	27,7	79,5	-	-	2,27
VL42	248,4	235,7	131,3	34,0	80,0	28,0	0,0	63,5	41,0	102,0	52,0	102,0	51,0	81,0	41,0	2,25
VT42	291,6	278,9	199,4	34,0	80,0	28,0	0,0	63,5	41,0	102,0	52,0	102,0	51,0	81,0	41,0	2,50