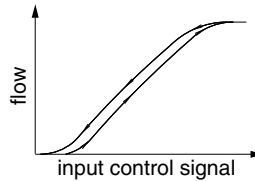


#### FEATURES

- Open loop proportional valves for automatic flow control of water and other non-corrosive liquids
- Special valve design to reduce pressure surges to a minimum, preventing waterhammer and ensuring noise-free closing
- The solenoid valves satisfy all relevant EC directives



#### GENERAL

**Differential pressure** See «SPECIFICATIONS» [1 bar = 100 kPa]  
**Maximum viscosity** 40 cSt (mm<sup>2</sup>/s)

fluids (*)	temperature range (TS) <sup>(1)</sup>	seal materials (*)
water, oil	- 10°C to + 90°C	NBR (nitrile)

#### MATERIALS IN CONTACT WITH FLUID

(\*) Ensure that the compatibility of the fluids in contact with the materials is verified

<b>Body</b>	Brass
<b>Core tube</b>	Stainless steel
<b>Core and plugnut</b>	Stainless steel
<b>Springs</b>	Stainless steel
<b>Riderring</b>	PTFE
<b>Seals, diaphragm</b>	NBR
<b>Disc</b>	FPM
<b>Breaker piece</b>	Stainless steel

#### ELECTRICAL CHARACTERISTICS

**Coil insulation class** F  
**Connector** Spade plug (cable Ø 6-10 mm)  
**Connector specification** ISO 4400 / EN 175301-803, form A  
**Electrical safety** IEC 335  
**Electrical enclosure protection** Moulded IP65 (EN 60529)  
**Standard enclosures** DC (=) : 24V (Other voltages on request)

prefix option	operating current (mA)	power ratings				operator ambient temperature range (TS) <sup>(2)</sup> (C°)	replacement coil = 24 V DC	type <sup>(1)</sup>
		inrush ~ (VA)	holding ~ (VA)	hot/cold = (W)	holding = (W)			
SC	100 - 500	-	-	-	11 / 8	-20 to + 75	400429-040	01

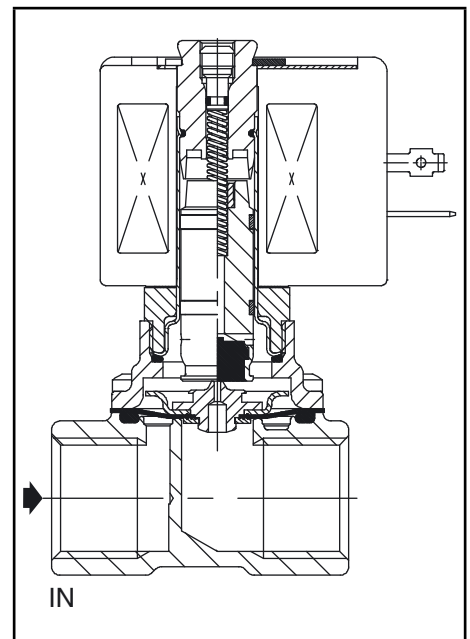
**Voltage regulation** 0 - 24 V DC  
 24 V DC pulse width modulated (300 Hz)

**Flow regulation characteristics <sup>(3)</sup>** Hysteresis < 7,5 % ; Repeatability < 3 % ; Sensitivity < 2 %

#### SPECIFICATIONS

pipe size	orifice size (mm)	flow coefficient Kv (m <sup>3</sup> /h) (l/min)		operating pressure differential (bar)			power coil (W)	catalogue number	options			
				min.	max. (PS)				FPM	V	-	-
					vacuum =	oil (*) =						
<b>NC - Normally closed</b>												
3/8	12,5	2,1	35	0,3	10	10	8	SCG203B001	V	-	-	
1/2	12,5	2,1	35	0,3	10	10	8	SCG203B002	V	-	-	

<sup>(1)</sup> Refer to the dimensional drawings on the following page.  
<sup>(2)</sup> Damage may occur when liquids solidify above the specified minimum temperature.  
<sup>(3)</sup> Percentage of max. value with 24 V DC, P.W.M. 300 Hz, supply at constant differential pressure.



B

CE

### OPTIONS

- Valves can also be supplied with FPM (fluoroelastomer) seals and discs
- Waterproof enclosure with embedded screw terminal coil according to protection class IP67, CEE-10
- Explosionproof enclosures for use in zones 1/21-2/22, categories 2-3 to ATEX Directive 94/9/EC, on request
- Electrical enclosures according to "NEMA" standards are available
- Mounting brackets
- Electronic proportional control unit (catalogue number: **E908A001**, see V150)

#### Features:

- analog input control signals: 0 - 10 V DC, 0 - 20 mA or 4 - 20 mA
- coil current (= flow rate) adjustable to required control signals
- switch-off function at less than 2% of the maximum control function
- adjustable ramp control
- adjustable frequency
- output current independent of coil resistance and supply voltage variations
- housed in: a box with spade plug connector according to ISO 4400 / IP65

### INSTALLATION

- The solenoid valves can be mounted in any position without affecting operation. For optimum performance mount solenoid vertical and upright
- Threaded pipe connection is standard: G = G (ISO 228/1)
- Installation/maintenance instructions are included with each valve

### SPARE PARTS KITS

catalogue number	spare parts kit no.	
	~	=
SCG203B001/B002	-	<b>C132856</b>

- <sup>(1)</sup> Standard prefixes/suffixes are also applicable to kits.  
 - Not available

### ORDERING EXAMPLES:

SC	G	203	B	001	24V / DC
SC	G	203	B	002	V 24V / DC

prefix — pipe thread — basic number — voltage — suffix

### ORDERING EXAMPLES KITS:

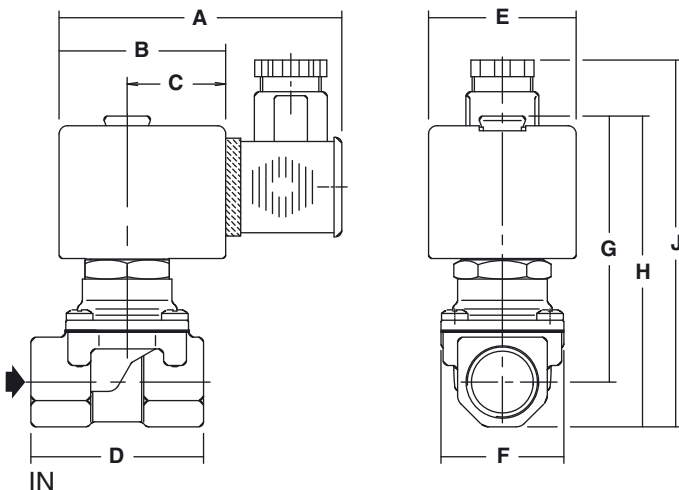
C132856 <sup>(1)</sup>	
C132856	V

basic number — suffix

### DIMENSIONS (mm), WEIGHT (kg)



**TYPE 01**  
 Prefix "SC" Solenoid  
 Epoxy moulded  
 IEC 335 / ISO 4400  
 IP65



type	prefix option	catalogue number	A	B	C	D	E	F	G	H	J	X	weight <sup>(2)</sup>
01	SC	SCG203B001	85	50	30	52	45	37	80	94	105	-	0,65
		SCG203B002											

<sup>(2)</sup> including coil and connector.