

## FEATURES

- Stainless Steel filter/regulator intended for corrosive environment and suitable for use in potentially explosive atmosphere caused by gases, vapours, mists and / or dust according to: **(ATEX directive 94/9/EC)**.  
**SAFETY CODE:** Ⓔ II 2GD c IIC T100°C (T5) **(ZONE 1-21)** Explosion group IIC Functional Safety: IEC 61508, SIL certified
- Compliance with the essential health and safety requirements has been assured with European Standards **EN13643-1** and **EN13643-5**
- All internal metal parts in 316L stainless steel, Elastomers in low temperature FPM
- Built-in overpressure relieving function
- Moisture removal by centrifugation of the air, 5 and 25 microns filtering element
- Large operating temperature -40°C to +80°C
- Body, bonnet and internal parts in stainless steel according to ASTM A351/ NACE MR 01.75



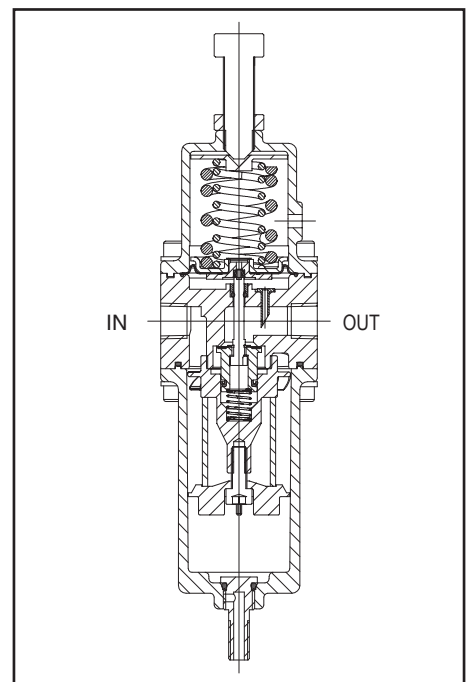
## GENERAL

<b>Fluids</b>	Compressed air, neutral and sour gas
<b>Ports</b>	1/4 NPT and 1/2 NPT
<b>Maximum inlet pressure</b>	20 bar
<b>Adjustable pressure</b>	0.5 - 10 bar [1 bar = 100 kPa]
<b>Hysteresis</b>	< 0,2 bar
<b>Filtering size</b>	25µm & 5µm
<b>Ambient temperature</b>	-40°C to +80°C*
<b>Maximum flow (Qv at 6.3 bar)</b>	See specifications and charts

## CONSTRUCTION

<b>Body</b>	AISI 316L SS
<b>Bowl</b>	AISI 316L SS
<b>Filtering element</b>	AISI 316L SS
<b>Diaphragm</b>	Reinforced FPM & FPM O-rings
<b>Condensate drain</b>	Manual drain, Auto drain as option
<b>Pressure adjusting screw</b>	Hexagon head screw with locking nut

\* -50°C low temperature option is available on request.



## SPECIFICATIONS

port pize	bowl capacity	filtering capacity	adjustable pressure	maximum flow at 6,3 bar pressure setpoint and ΔP of 1 bar/setpoint		catalogue number		spare parts kits
						FILTER / REGULATOR		
NPT	(cm <sup>3</sup> )	(µm)	(bar)	l/min. (ANR)	dm <sup>3</sup> /s (ANR)	gauge connection NPT	without pressure gauge	catalogue number
<b>25µm filtration 0.5 - 10 bar adjustment</b>								
1/4	98	25	0.5-10	2450 <sup>(1)</sup>	41	1/4	<b>342A8401</b>	<b>C325305</b>
1/2	98	25	0.5-10	4430 <sup>(2)</sup>	74	1/4	<b>342A8403</b>	<b>C325306</b>
<b>5µm filtration 0.5 - 10 bar adjustment</b>								
1/4	98	5	0.5-10	2380 <sup>(3)</sup>	40	1/4	<b>342A8405</b>	<b>C325307</b>
1/2	98	5	0.5-10	3920 <sup>(4)</sup>	65	1/4	<b>342A8407</b>	<b>C325308</b>

<sup>(1)</sup> KV = 2.27[m<sup>3</sup>/hr], 37.88[l/min]  
<sup>(2)</sup> KV = 4.11[m<sup>3</sup>/hr], 68.50[l/min]

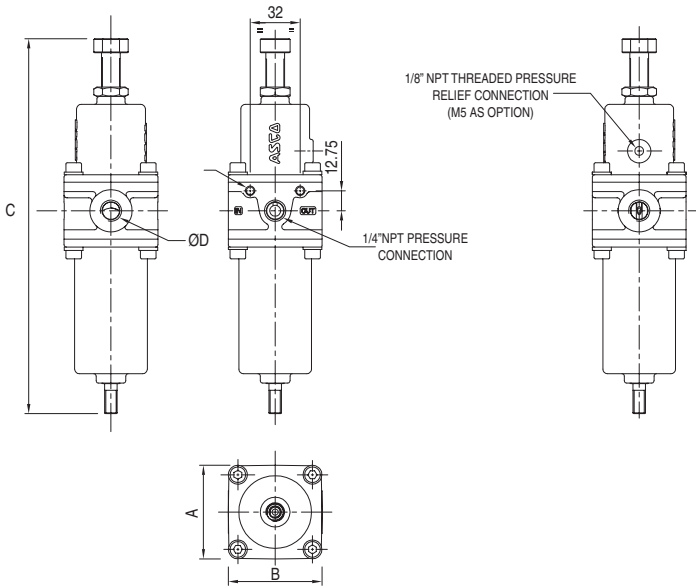
<sup>(3)</sup> KV = 2.21[m<sup>3</sup>/hr], 36.80[l/min]  
<sup>(4)</sup> KV = 3.63[m<sup>3</sup>/hr], 60.62[l/min]

Spare parts kits include: O-rings, diaphragm assembly & filter element

## ORDERING EXAMPLES

342					<b>Series</b>			
A					<b>Change Letter</b>			
8					-			
0	Non relief				<b>Relief / Vent Hole</b>			
2	ØM5 thread							
4	Ø1/8" NPT thread							
0	None				<b>NACE compliant</b>			
2	Yes							
1	<b>25 micron</b> 1/4" NPT				<b>Filtration Port size</b>			
3	1/2" NPT							
5	<b>5 micron</b> 1/4" NPT							
7	1/2" NPT							
<b>Suffix Table</b>								
<b>1</b>	<b>2</b>	<b>3</b>	<b>4</b>	<b>Description</b>	<b>Optional</b>			
<b>AD</b>				Autodrain				
	<b>LT</b>			Low temperature: - 50° C				
		<b>G</b>	<b>MB</b>	Stainless steel pressure gauge Mounting bracket				
342	A	8	4	0	1	G	MB	<b>ORDERING EXAMPLES</b>

## DIMENSIONS(mm), WEIGHT(kg)



catalogue number	A	B	C*	ØD	weight
342A8401 / 405	60	60	240	1/4" NPT	1,60 kg
342A8403 / 407	60	65	240	1/2" NPT	1,55 kg

\* Manual Drain (Auto Drain - consult local sales office)

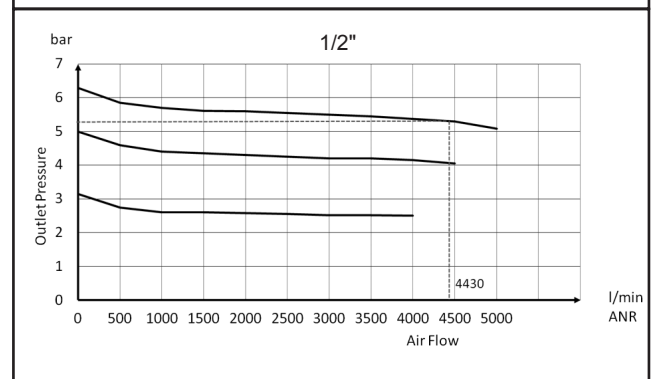
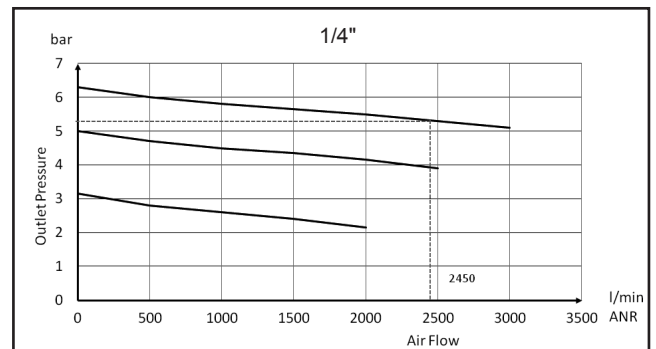
## ADDITIONAL OPTIONS

- Other sizes of pressure relief connection available on request
- Stainless steel pressure gauge (0-12 bar scale division), Kit number C325316
- ØM5 Stainless steel exhaust protector, Kit number 34600484

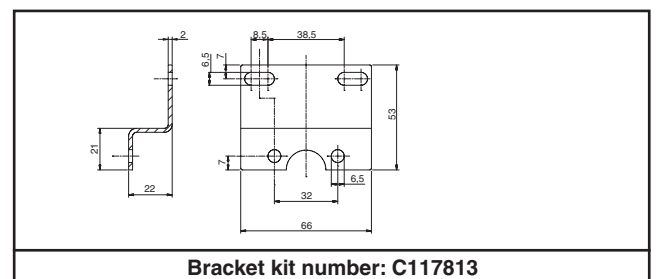
## INSTALLATION

- Installation / Maintenance instructions are included with each filter/regulator
- Air flow direction indicated by IN/OUT as well as inlet & outlet indicators
- Pipe connection has standard thread according to NPT (ANSI 1.20.3)

## PRESSURE DROP vs. AIR FLOW CURVE



## MOUNTING BRACKET



**Bracket kit number: C117813**