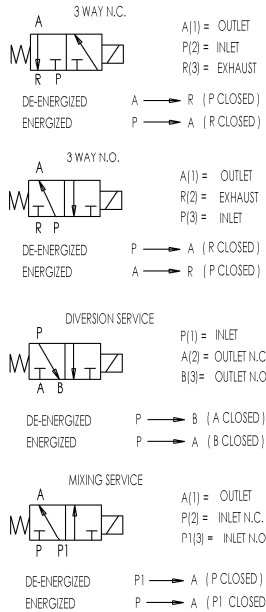
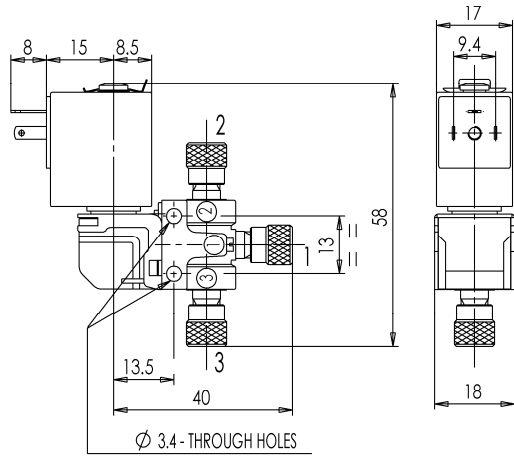




MICRO SOLENOID VALVE - DRY
3/2 - UF (Universal function)
Direct acting - Total isolation
Slip-on

D301



► **GENERAL FEATURES**

Total isolation micro solenoid valve: the actuator is totally isolated from the medium so that the wetted parts are just the body and the diaphragm. Minimum overall dimension. Possibility of disassembling for inspection. Reduced internal volumes: ~0,15 ml (0,15 c.c.). Core duly coated by PTFE (polytetrafluoroethylene) based self lubricating material. Suitable to shut off liquid and gaseous fluids (verify the compatibility of fluid with materials in contact).

► **TECHNICAL FEATURES**

Maximum allowable pressure (PS)	4 bar
Opening time	~10ms
Closing time	~10m
Fluid temperature	-10°C +90°C
Max viscosity	5°E (~37 cStokes or mm ² /s)

► **MATERIALS IN CONTACT WITH FLUID**

Body PSU (Polysulphone)
Sealing VMQ or FPM

► **COIL**

Continuous duty Ed 100%
Encapsulation material PET (polyethylene terephthalate) fiberglass reinforced
Insulation class F (155°C)
Ambient temperature -10°C +60°C
Electric connections DIN 46340 - 3 poles micro-connector
Protection degree IP 65 (EN 60529) with micro-connector
Voltages DC 12-24V (+10% -5%)
 (Other voltages on request).

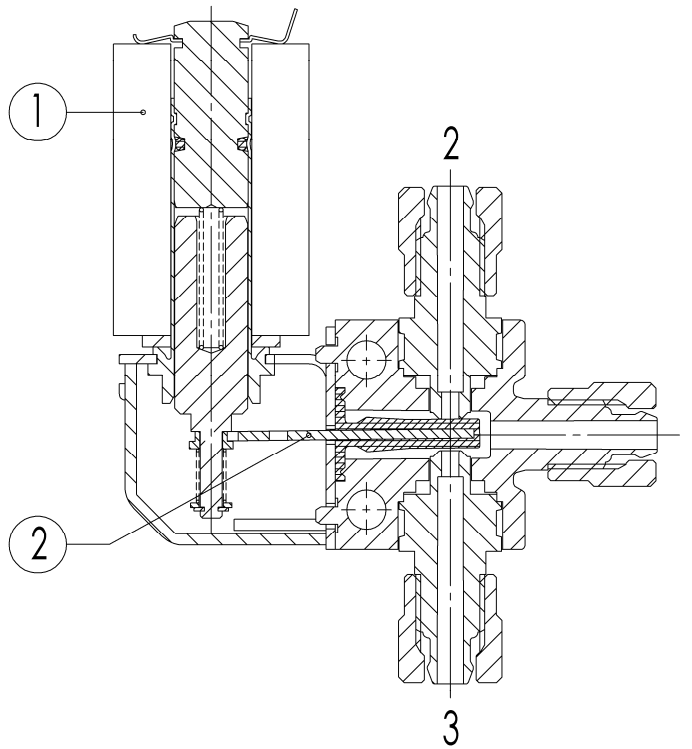
Port size	Orifice size (mm)	Differential pressure (bar)				Kv (m ³ /h)	Series and type		Power absorption			Sealings	Notes	Weight (kg)	
		Δp min	Δp max				Valve	Coil	AC (VA)		DC (W)				
			Gases		Liquids				Inrush	Holding					
			AC	DC	AC										DC
Slip-on (*)	1,5	0	-	3	-	3	0,06	D301S51	Z031A	-	-	4	VMQ	1	0,055
								D301V51							

► **NOTES**

- Sealings : VMQ = Silicone elastomer FPM = Fluoro-carbon elastomer
 1 - These valves can become 2/2 NC or 2/2 NO by mounting the screwed cap on the port as shown overleaf. The performances remain unchanged.
 (*) Suitable for tube 3mm ID and 4,3mm OD.

D301

► SPARE PARTS



Kit description

Lever seal kit

D301S51
D301V51

Kit P.N.

2696903R
2696902R

Consisting of.

Lever seal pos. 2

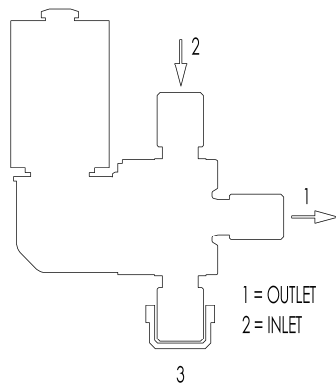
Coil

Z031A

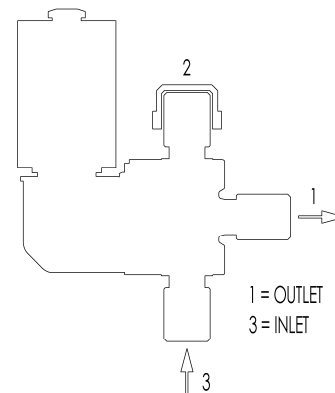
Coil pos. 1

ASSEMBLING SCHEME - SEE NOTE 1

2/2 SOLENOID VALVE NC



2/2 SOLENOID VALVE NO



► MOUNTING

- Solenoid valve can be mounted in any position; vertical with coil upwards preferred.

THE VALIDITY OF REPORTED DATA IS REFERRED TO THE DATE OF ISSUE. POSSIBLE UPDATES ARE AVAILABLE ON REQUEST.