

## FEATURES

- Converts analog input control signals to coil current of a proportional solenoid valve by means of pulse width modulation
- Switch-off function at less than 2% of the maximum control signal
- Adjustable ramp control
- Output coil current independent of coil resistance (temperature) and supply voltage variations
- Min. and max. output coil current adjustable to required input control signal
- The electronic circuit is integrated in a housing connectable to a 3-terminal spade plug coil connector according to ISO 4400/ EN 175301-803, form A, DIN 43650, 11 mm, industry standard B or DIN 43650, 9,4 mm, industry standard B

## GENERAL

**Nominal voltage** 24 V DC  
**Maximum current** 1100 mA

## CONSTRUCTION

**Housing** PA  
**Cover** PA  
**Screw** Zinc plated steel  
**Seals** NBR

## ELECTRICAL CHARACTERISTICS

**Connector** Spade plug (cable Ø 6-10 mm)  
**Connector specification** ISO 4400 / EN 175301-803, form A <sup>(2)</sup>  
**Valve connection** With 3 terminal plug connection  
Control unit: E908A001 ISO 4400 / EN 175301-803, form A  
Control unit: E908A003 DIN 43650, 11 mm, industry standard B  
Control unit: E908A004 DIN 43650, 9,4 mm, industry standard B (assembled to 200 mm cable)

**Electrical safety** IEC 335  
**Electrical enclosure protection** IP65 (EN 60529)  
**Supply voltage** DC (=) : 24V ±10 % (U<sub>N</sub>), max. ripple 10%

prefix option	max. full load current (I <sub>FL</sub> ) (mA)	input control signal (selectable)			power consumption (electronics) (W)	unit ambient temperature range <sup>(2)</sup> (C°)	type <sup>(1)</sup>
		U <sub>c</sub> = (V)	I <sub>cx</sub> (mA)	I <sub>c</sub> (mA)			
-	1100	0 - 10	0 - 20	4 - 20	0,8	-10 to +75	01 - 02

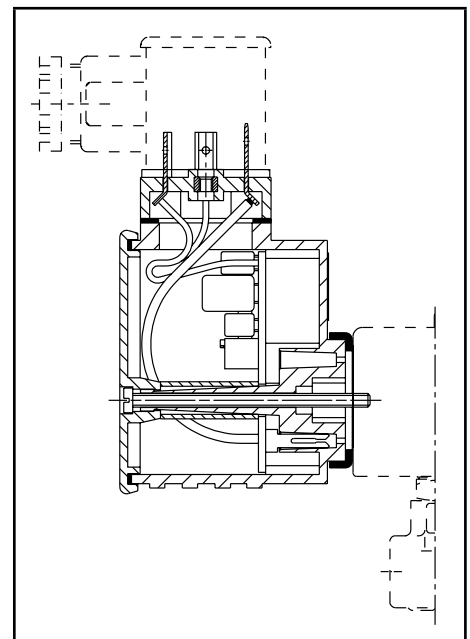
**Switch-off current** < 2 % of max. input control signal  
**Adjustable offset** Upwm 15 - 50 % E.D.  
**Adjustable full load** Upwm 30 - 100 % E.D.  
**Ramp time** Selectable on/off, adjustable 0,1 - 3 sec.  
**Adjustable switch frequency** 40 - 700 Hz

## SPECIFICATIONS

recommended for proportional valve types	type	catalogue number
202A001V to 202A087V 203B001V and 203B002V	01	E908A001
202A201V to 202A208V	02	E908A003
202A101V to 202A104V 202A105V to 202B108V	01	E908A004

<sup>(1)</sup> Refer to the dimensional drawings on the following page.

<sup>(2)</sup> The connector is supplied with each control unit. **Do not use the standard connector mounted on the POSIFLOW solenoid valves.**



**B**

CE

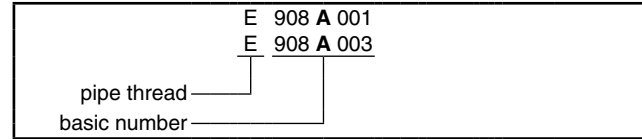
## OPTIONS

- ASCO can offer any adaption or modification to the control unit to meet special requests from the users' field

## INSTALLATION

- The control unit can be mounted in any position without affecting operation
- The connector to ISO 4400 / EN 175301-803, form A, is supplied with each unit
- Catalogue number E908A004: The 4-terminal connector to ISO 4400 / EN 175301-803, form A, is supplied with each unit. The outlet to the solenoid valve is fitted with a 200 mm long cable with a connector to DIN 43650, 9,4 mm, industry standard B
- Installation and maintenance instructions are included with each control unit

## ORDERING EXAMPLES:

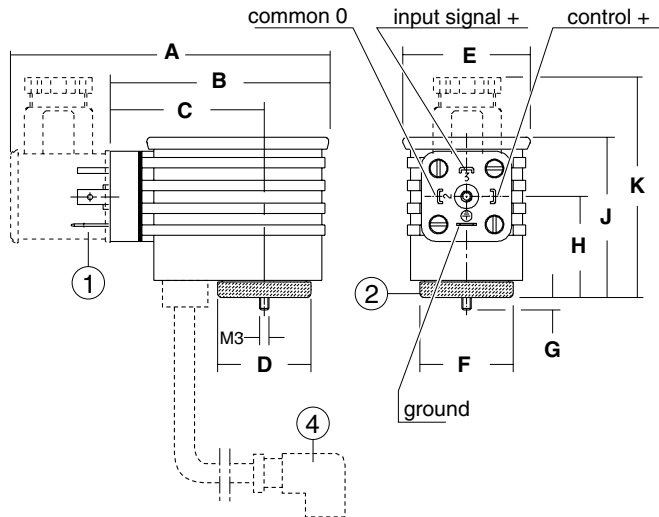


## DIMENSIONS (mm), WEIGHT (kg)



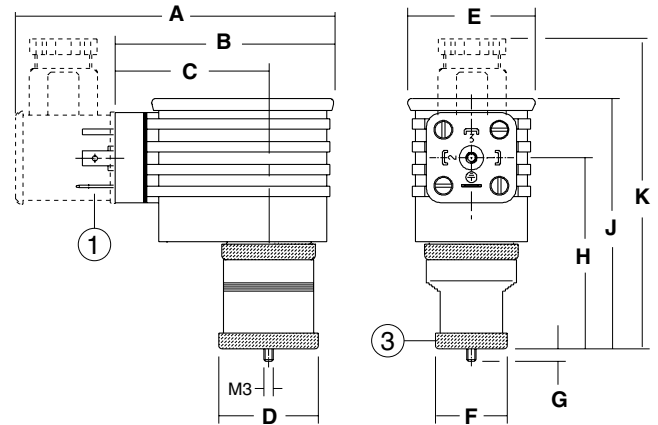
**TYPE 01**  
POSIFLOW control unit  
IEC 335 / ISO 4400  
IP65

E908A001 - E908A004



**TYPE 02**  
POSIFLOW control unit  
IEC 335 / ISO 4400  
IP65

E908A003



type	catalogue number	A	B	C	D	E	F	G	H	J	K	weight <sup>(1)</sup>
01	E908A001/004	98	70	48	30	41	30	4	32	51,5	70	0,1
02	E908A003	98	70	48	32	41	23	4	61	80	98	0,1

<sup>(1)</sup>Weight without connector.

- ① Supply, 4 terminals, ISO 4400/EN 175301-803, form A  
Solenoid valve connection:
- ② 3 terminals, ISO 4400/EN 175301-803, form A
- ③ 3 terminals, DIN 43650, 11 mm, industry standard B
- ④ 3 terminals, DIN 43650, 9,4 mm, industry standard B

## VOLTAGE-CURRENT / TIME DIAGRAM

