

Certified according to DIN EN ISO 9001

Technical Datasheet



LFM 10

Micro Flow Meters

For low-viscosity fluids in dosing and filling systems

Application

The flow meter LFM is designed for low-viscosity fluids of all types, especially for use in dosing and filling devices. It is designed for low volume flows from 0.005 l/min. and shall be applied wherever small amounts of additives are dosed or injected.

Due to having large resolution it is guaranteed optimal dosing accuracy even in case of the smallest liquid volumes. The values of self-pulsing flows are reproducible with the repeated accuracy of +/- 0.1%. Due to its small compact design the LFM may be used without problems even in a very confined space for installation.

Applications

- Additives
- Pharmaceuticals
- Aromatic substances/perfumes
- Tap-water and demineralized water
- Liquefied gases
- Fluid food
- 2- and 3-component-applications

Principle and Design

The measuring device consists of a double ring swinging piston which produces oscillating rotary and swinging motion due to alternating filling and emptying the measuring chambers.

Thanks to a small weight of the pendulum and the minimum losses arising from friction the flow meter LFM reacts even to the smallest volume flows. At a constant flow, the cycle described above is repeated proportionally to the flow approx. 5 to 300 times per one second. In the process, for each one cyclic revolution a volume of approx. 0.01 cm³ is pressed out and thereby one pulse. In addition, the piston design minimizes losses due to leakage and this guarantees good linearity and repeatability of the measured values.

A suitable frequency-and pickup system records oscillation motions in a contactless manner through the body wall and transmits output signals at a frequency which is proportional to the volumetric flow.

The flow meter LFM 10 is compact and its weight, including the integrated sensor (VTE-CM-S) is only 650 g. This flow meter is made of stainless steel, like other KEM flow meters. In order to achieve a faultless operation it is recommended to equip the flow meter LFM with a filter of aperture size < 40µm.

Features

- Low weight
- Compact Version
- Applicable for flow rates from 0.005 l/min
- Good purging qualities

Technical Data

Type	Measuring range, l/min	K-Factor, pulses/l ¹⁾	max. Pressure, bar	Weight, kg
LFM 10*	0.005 to 0.25	75,000	100	0.7

1) Average values with single-pickup TYP VTE*/P.

* Detailed type code on request

General	
Linearity	± 2.5% of actual flow (≤ 6 mm ² /s)
Repeatability	± 0.1%
Viskositätsbereich	0.6 to 6 mm ² /s
Materials	Housing: as per DIN 1.4435 (SS316L) Pendulum: as per DIN 1.4122 Sealing: FKM, PTFE, FFKM
Medium temperature	-20 to +120°C (higher temperatures on request)
Dimensions	See drawing (page 4 to 5)

Filter Element (optional)	
Type	SS-6F-MM
Mounting position	horizontal / vertical
Pressure	max. 160 bar (at +120°C)
Material	as per DIN 1.4401 (SS316L)
Mesh size	40 µm
Pressure drop	approx 300 mbar (at 0,5 l/min and 2 mm ² /s)
Mounting length	approx. 80 mm / SW 19
Connection	6 mm pipe

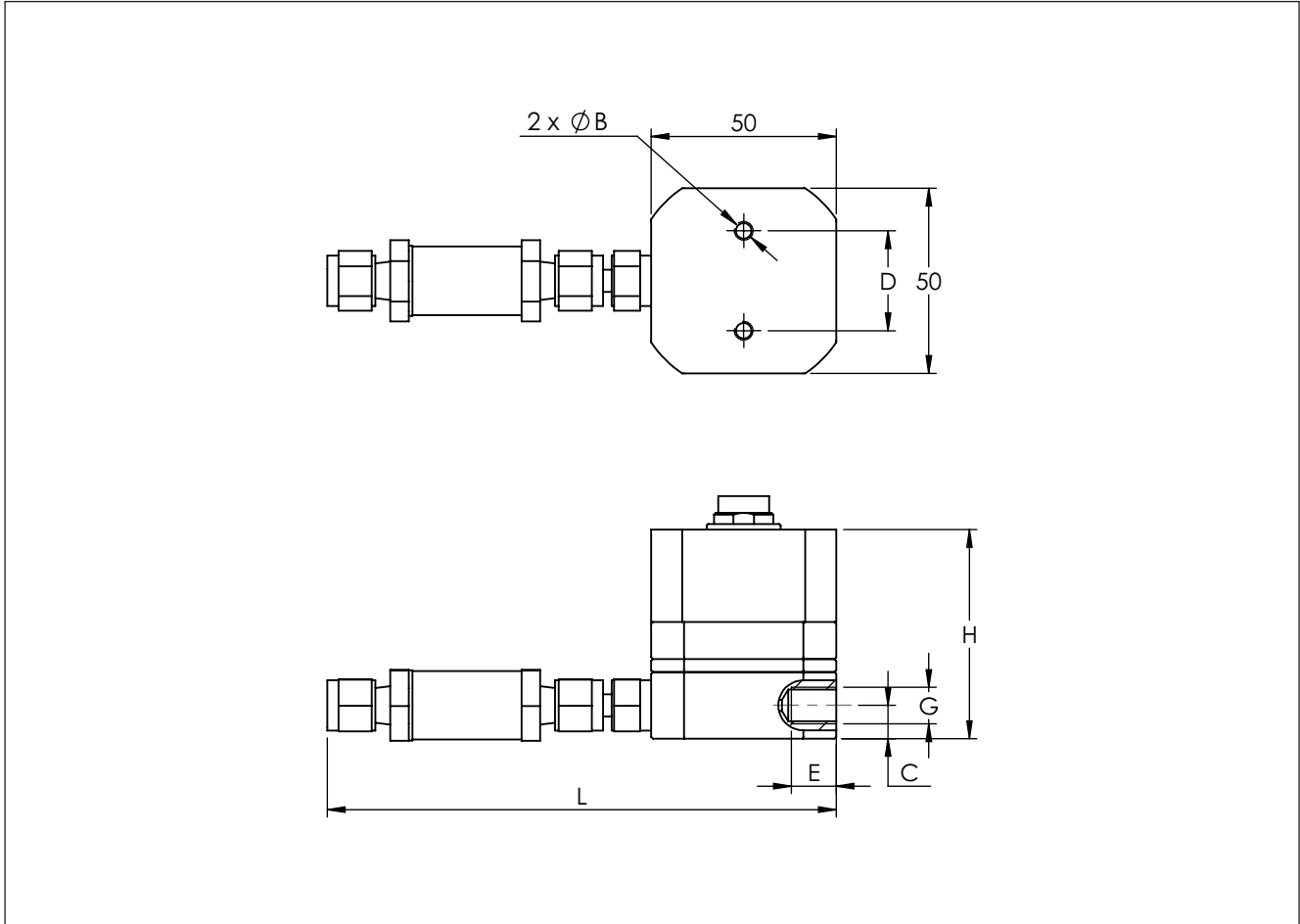
Pickup Selection

Criteria \ Type		VTE *	WT */ WI*	VIE *	IF */ VIEG	VTC *	VTB *	TD *	VHE*	FOP *
Drilling type ¹⁾		E	E	E	E	E	E	D	E	E/F
Medium temperature	≤ +70°C									
	≤ +120°C					✓	✓		✓	✓
	≤ +150°C	✓	✓	✓						
	≤ +350°C				✓					
EX-Approval		✓	✓	✓	✓	✓	✓			✓
Frequency output		✓	✓	✓	✓	✓			✓	✓
Dual frequency output										
Analogue output 4 - 20 mA			✓			✓				
Forward / backward recognition										
Local Display						✓	✓			
Linearization			✓			✓				
Supply 12 - 24 V		✓	✓	✓	✓	✓			✓	
Supply battery							✓			✓
Interface			✓			✓				

1) Thread types: E: single pickup / D: dual pickup / F: FOP-pickup

* Ordering code (please see separate datasheet)

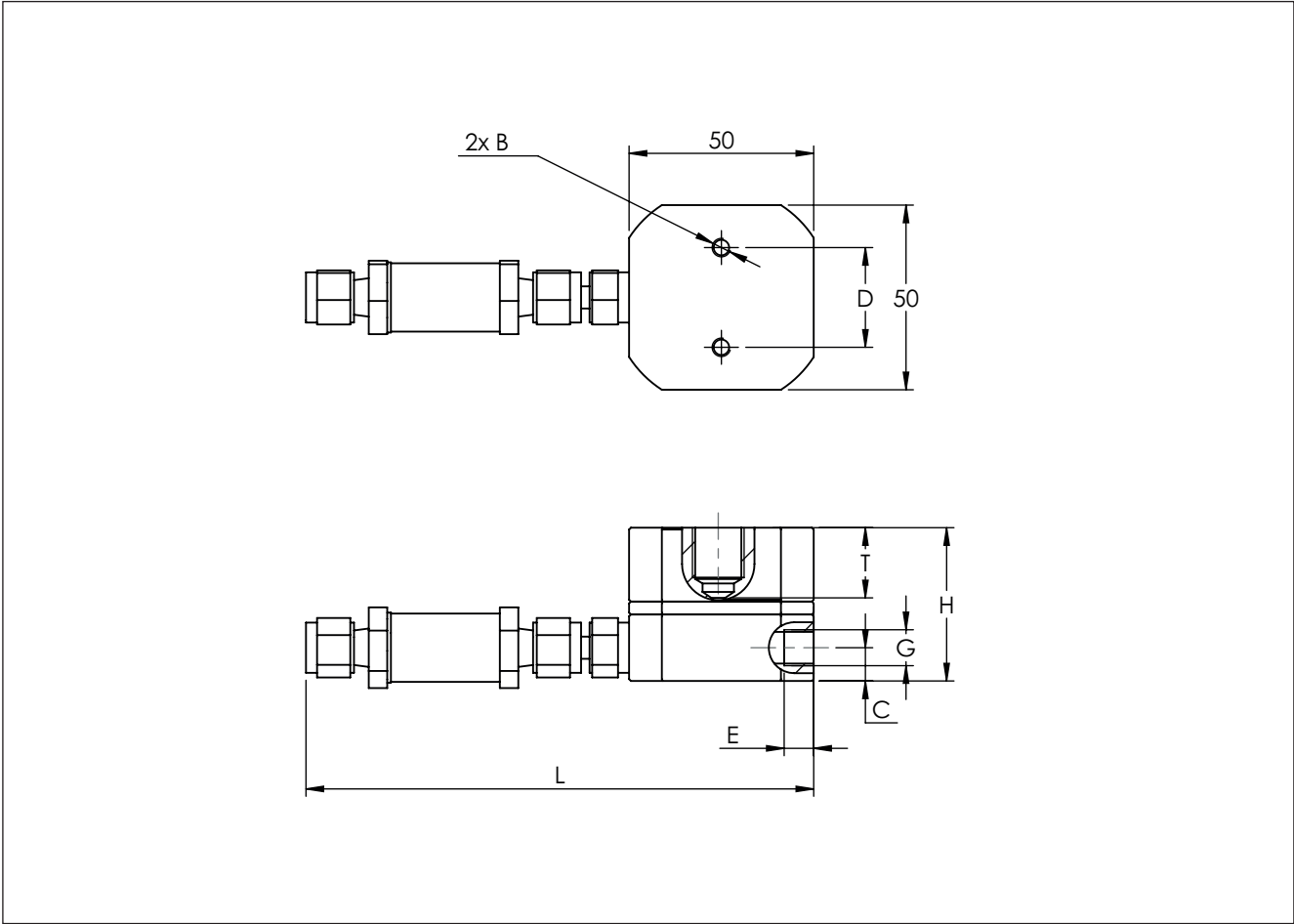
Dimensional Drawings (mm) - LFM 10.*.F.* incl. Compact Pickup (VTE-CM-X)



LFM Type	B	C	D	E	G	H	L
LFM 10 SC*	-	9	-	13	G1/8"	57	138
LFM 10 01.F.*	M5 ∇ 10	12.5	35	14	G1/4"	64	138
LFM 10 03.F.*	M5 ∇ 10	9	27	8	G1/8"	57	138
LFM 10 04.F.*	M5 ∇ 10	9	27	9	1/8"NPT	57	138

- 1) See "Pickup Selection" table (page 3)
- 2) Please notice: total height is calculated by adding up the height (H) and the height of the pickup (separate data sheet) and subtract the bore hole depth (T)

Dimensional Drawings (mm) - LFM 10.*-E



LFM Type	B	C	D	E	G	H	L	P ¹⁾	T ²⁾
LFM 10 04.E.*	M5 ↓ 10	9	27	9	1/8" NPT	41.5	138	E	19

1) See "Pickup Selection" table (page 3)
 2) Please notice: total height is calculated by adding up the height (H) and the height of the pickup (separate data sheet) and subtract the bore hole depth (T)

KEM Headquarter

Liebigstraße 5
85757 Karlsfeld
Germany

T. +49 8131 59391-0
F. +49 8131 92604

info@kem-kueppers.com

KEM Service & Repairs

Wetzeller Straße 22
93444 Bad Kötzing
Germany

T. +49 9941 9423-0
F. +49 9941 9423-23

info@kem-kueppers.com

*More distributors & partners can be found at:
www.kem-kueppers.com*

Your local partner:



www.kem-kueppers.com
info@kem-kueppers.com