

# General Specifications

## YTA610 Temperature Transmitter



GS 01C50H01-01EN

The YTA610 is the highly accurate temperature transmitter that accepts Thermocouple, RTD, ohms or DC millivolts inputs and converts it to a 4 to 20 mA DC or Fieldbus signal for transmission.

The YTA610 supports HART and FOUNDATION Fieldbus communication protocols.

HART type is certified as complying with SIL 2 for safety requirement.



### ■ FEATURES

#### High reliability

Dual-compartment housing realizes high resistance capability to harsh environments.

#### Variety of sensor inputs

The type of sensor input is user-selectable from thermocouples (T/C), RTDs, ohms, or DC millivolts.

#### Digital communication

HART protocol revision is 7 and FOUNDATION Fieldbus. The instrument configuration can be changed by the user with using the Fieldmate or Handheld terminal.

#### Local Parameter Setting

Parameter configuration by the push button offers easy and quick setup for parameters.

#### Self-diagnostics function

Continuous self-diagnostics capability ensures longterm performance and lower cost of ownership.

#### Dual universal inputs

Dual input can accept two thermocouple, RTD, ohm or DC millivolt inputs. Differential or average temperature measurement is selectable. The sensor backup function for automatically switches-over from the primary to the backup upon sensor failure.

### ■ STANDARD SPECIFICATIONS

#### ■ PERFORMANCE SPECIFICATIONS

##### Accuracy

HART communication type:  
A/D accuracy/span + D/A accuracy  
(See Table 1 on page 4.)

Fieldbus communication type:  
A/D accuracy (See Table 1 on page 4.)

##### Cold Junction Compensation Accuracy

$\pm 0.5^{\circ}\text{C}$  ( $\pm 0.9^{\circ}\text{F}$ ) for T/C only

##### Ambient Temperature Effect (per $10^{\circ}\text{C}$ change)

See Table 2 on page 5.

##### Stability (at $23\pm 2^{\circ}\text{C}$ )

RTD:  $\pm 0.1\%$  of reading or  $\pm 0.1^{\circ}\text{C}$  per 2 years, whichever is greater.

T/C:  $\pm 0.1\%$  of reading or  $\pm 0.1^{\circ}\text{C}$  per year, whichever is greater.

##### 5 Year Stability (at $23\pm 2^{\circ}\text{C}$ )

RTD:  $\pm 0.25\%$  of reading or  $\pm 0.25^{\circ}\text{C}$ , whichever is greater.

T/C:  $\pm 0.5\%$  of reading or  $\pm 0.5^{\circ}\text{C}$ , whichever is greater.

##### Vibration Effect

The YTA610 is tested to the following specifications with no effect on performance per IEC 60770-1

10 to 60 Hz : 0.21 mm peak displacement

60 to 2000 Hz : 3g

##### Power Supply Effect (HART type)

$\pm 0.005\%$  of calibrated span per volt

■ **FUNCTIONAL SPECIFICATIONS**

**Input Signals**

Input number: single and dual input  
 Input type is selectable: Thermocouples, 2-, 3-, and 4-wire RTDs, ohms and DC millivolts.  
 See Table 1. on page 4.

**Input Signal Source Resistance (for T/C, mV)**

1 kΩ or lower

**Input Lead Wire Resistance (for RTD, ohm)**

10 Ω per wire or lower

**Span & Range Limits**

See Table 1. on page 4.

**Output Signals**

**Two wire 4 to 20 mA DC type**

Output range: 3.68 to 20.8 mA DC  
 HART protocol is superimposed on the 4 to 20 mA signal.

**Fieldbus type**

Output signal based on FOUNDATION Fieldbus communication protocol.

**Isolation**

Input/Output/GND isolated to 500V DC  
 Except lightning protector option.

**Manual Test Output Function**

The output value can be set manually.

**Sensor Burnout (HART type)**

High (21.6 mA DC) or Low (3.6 mA DC), user selectable.

**Output in Transmitter Failure (HART type)**

Down-scale: -5%, 3.2 mA DC or less (Optional code C1 or C2)  
 Up-scale: 110%, 21.6 mA DC or more (Standard or Optional code C3)

**Update Time (HART type)**

Approximately 0.5 seconds for a single sensor (0.8 second for dual sensors)

**Turn-on Time (HART type)**

Approximately 6 seconds for a single sensor (7 seconds for dual sensors)

**Damping Time Constant**

Selectable from 0 to 100 seconds

**Self-Diagnostics**

Self-diagnostic function based on the NAMUR NE107 standard detects failures.

**Hardware-Diagnostics**

Hardware failure: Detect in CPU, ADC, Memory, etc.

**Sensor-Diagnostics**

Sensor failure: Detect the disconnection of sensor.  
 Sensor line information: Measure the line resistance.  
 Sensor drift: Detect the difference between sensor1 and sensor2.

**Fieldbus Functions (Fieldbus type)**

Functional specifications for Fieldbus communication conform to the standard specifications (H1) of FOUNDATION Fieldbus.

**Function Block (Fieldbus type)**

**Resource block**

The resource block contains physical transmitter information.

**Transducer block**

The transducer block contains the actual measurement data and information about sensor type and configuration and diagnostics.

**LCD display block**

The LCD display block is used to configure the local display, if an LCD display is being used.

**Analog input (AI)**

Four independent AI blocks can be selected.

**Digital input (DI)**

Four DI function blocks can be used as a limit switch for those temperature.

**Other function block**

As other Function blocks, Arithmetic (AR), Signal Characterizer (SC), Input Selector (IS), and two PID function blocks are available.

Function block	Execution time (ms)
AI	30
DI	30
SC	30
IS	30
AR	30
PID	45

**Link master function**

This function enables backup of network manager and local control only by field devices.

**Alarm function**

Fieldbus models securely support various alarm functions, such as High/Low alarm, notice of block error, etc. based on FOUNDATION Fieldbus specifications.

**Software download function**

This function permits to update YTA software via a FOUNDATION Fieldbus.  
 Based on FOUNDATION Fieldbus specifications (FF883)  
 Download class: Class 1

**EMC Conformity Standards**

EN61326-1 Class A, Table2  
 EN61326-2-3  
 EN61326-2-5 (for fieldbus type)

**Functional Safety**

Hart type certified in compliance with IEC 61508: 2010.  
 Functional Safety of Electrical/electronic/Programmable electronic related systems;  
 SIL 2 capability for single transmitter use  
 SIL 3 capability for dual transmitter use  
 Refer to "Appendix A" of IM01C50T01-02EN for cautions.

**Safety Requirement Standards**

EN61010-1, C22.2 No.61010-1

- Installation category: I  
(Anticipated transient overvoltage 330 V)
- Pollution degree: 2
- Indoor/Outdoor use

EN61010-2-030, C22.2 No.61010-2-030

- Measurement category: O (Other)  
(Measurement Input voltage: 150mVdc max)

**EU RoHS Directive**

Applicable standard: EN 50581

**■ NORMAL OPERATING CONDITION**

(Optional features or approval codes may affect limits.)

**Ambient Temperature Limits**

- 40 to 85°C (–40 to 185°F)
- 30 to 80°C (–22 to 176°F) (with indicator model)

**Ambient Humidity Limits**

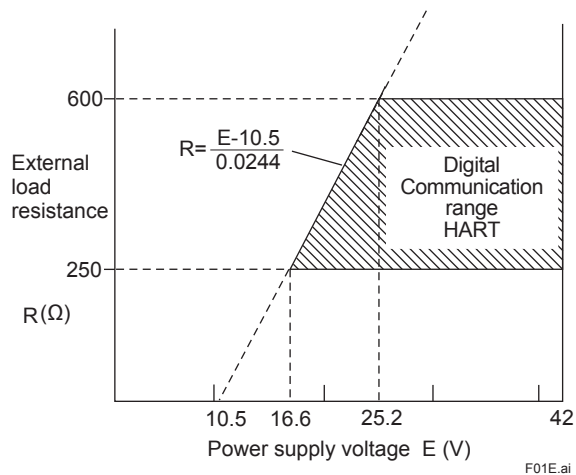
0 to 100% RH at 40°C (104°F)

**Supply Voltage Requirements****HART type**

- 10.5 to 42 V DC for general use and flameproof type
- 10.5 to 32 V DC for lightning protector (option code /A)
- 10.5 to 30 V DC for intrinsically safe and non-incendive type

Minimum voltage limited at 16.6 V DC for digital communications HART

With 24 V DC supply, up to a 550Ω load can be used. See graph below.

**Figure 1. Relationship Between Power Supply Voltage and External Load Resistance****Fieldbus type**

9 to 32V DC for general use, flameproof type, and non-incendive type

9 to 30 V DC for intrinsically safe type

9 to 17.5 V DC for FISCO field device

**Communication Requirements**

Supply Voltage: 9 to 32 V DC

Current Draw:

Steady state: 15 mA (max)

Software download state: 24 mA (max)

**Load Requirements (HART type)**

0 to 1290Ω for operation

250 to 600Ω for digital communication

**■ PHYSICAL SPECIFICATIONS****Enclosure****Material & coating**

- Low copper cast aluminum alloy  
[for aluminum housing]  
Polyester powder coating  
Mint-green paint (Munsell 5.6BG 3.3/2.9 or its equivalent)  
[for option code /P□ or /X2]  
Epoxy and polyurethane resin solvent coating
- ASTM CF-8M Stainless steel

**Degrees of protection**

IP66/IP67, TYPE 4X

**Name plate and tag**

316 SST

**Mounting**

Optional mounting brackets can be used either for two-inch pipe or flat panel mounting.

**Terminal screws**

M4 screws

**Integral Indicator (with indicator model)**

5-digit numerical display, 6-digit unit display and bar graph.

**Local Parameter Setting (with indicator model)**

Parameter configuration by the push button offers easy and quick setup for parameters.

Accessible parameters are different with each output signal cord.

**Weight**

Aluminum housing:

1.3 kg (2.9 lb) without integral indicator and mounting

Integral indicator: 0.2 kg (0.4 lb)

Bracket for horizontal pipe: 0.3 kg (0.7 lb)

Bracket for vertical pipe: 1.0 kg (2.2 lb)

Stainless housing:

3.1 kg (6.8 lb) without integral indicator and mounting

Integral indicator: 0.3 kg (0.7 lb)

**Connections**

Refer to "MODEL AND SUFFIX CODE."

**Table 1. Sensor type, measurement range, and accuracy**

Sensor Type		Standard	Measurement Range		Minimum Span	A/D Accuracy		D/A Accuracy
			°C	°F		°C	°F	
T/C	B	IEC60584	100 to 300	212 to 572	25°C (45°F)	± 3.0	± 5.4	±0.03% of span
			300 to 1820	572 to 3308		± 0.77	± 1.39	
			-200 to -50	-328 to -58		± 0.4	± 0.72	
						± 0.2	± 0.36	
			-200 to -50	-328 to -58		± 0.35	± 0.63	
						± 0.25	± 0.45	
			-200 to -50	-328 to -58		± 0.5	± 0.9	
						± 0.3	± 0.54	
			-200 to -50	-328 to -58		± 0.5	± 0.9	
	± 0.4	± 0.72						
	-50 to 0	-58 to 32	± 1.0	± 1.8				
			± 0.7	± 1.26				
0 to 600	32 to 1112	± 0.5	± 0.9					
600 to 1768	1112 to 3214	± 1.0	± 1.8					
0 to 1768	32 to 3214	± 0.6	± 1.08					
-200 to -50	-328 to -58	± 0.35	± 0.63					
		± 0.2	± 0.36					
-50 to 400	-58 to 752	± 0.7	± 1.26					
		± 1.0	± 1.8					
0 to 2000	32 to 3632	± 0.9	± 1.62					
		± 1.0	± 1.8					
2000 to 2300	3632 to 4172	± 0.6	± 1.08					
		± 0.7	± 1.26					
W3	ASTM E988	± 1.0	± 1.8					
		± 0.7	± 1.26					
L	DIN43710	± 0.35	± 0.63					
		± 0.3	± 0.54					
U		± 0.35	± 0.63					
RTD	Pt100	IEC60751	-200 to 850	-328 to 1562	10°C (18°F)	± 0.14	± 0.25	
			-200 to 850	-328 to 1562		± 0.25	± 0.45	
			-200 to 850	-328 to 1562		± 0.18	± 0.32	
	Pt1000		± 0.18	± 0.32				
	JPt100	—	± 0.16	± 0.29				
	Cu10	SAMA RC21-4	-70 to 150	-94 to 302		± 1.3	± 2.34	
	Ni120	—	-70 to 320	-94 to 608		± 0.14	± 0.25	
mV	—	-10 to 120 [mV]		3 mV	±0.015 [mV]			
ohm	—	0 to 2000 [Ω]		20 Ω	±0.45 [Ω]			

Note 1: Total Accuracy = (A/D Accuracy / Span + D/A Accuracy) or (± 0.1% of calibrated span), whichever is greater.  
 Accuracy of Fieldbus type: A/D Accuracy.  
 For T/C input, add Cold Junction Compensation Error (± 0.5°C) to the total accuracy.  
 Example: when selecting Pt100 with measurement range of 0 to 400 °C  
 0.14°C / 400°C×100% of span +0.03% of span = 0.065% of span  
 Since the value is smaller than ±0.1% of span, the total accuracy is ±0.1%.  
 Note 2: T/C C type is same as W5 (ASTM E988).

**Table 2. Temperature coefficient**

Sensor Type		Temperature Coefficient
Thermocouples E, J, K, N, T, L, U		0.08°C + 0.02% of abs.reading
Thermocouples R, S, W3, C		0.25°C + 0.02% of abs.reading
Thermocouple B	100°C ≤ Reading < 300°C	1°C + 0.02% of abs.reading
	300°C ≤ Reading	0.5°C + 0.02% of abs.reading
RTD		0.08°C + 0.02% of abs.reading
mV		0.002 mV + 0.02% of abs.reading
ohm		0.1 Ω + 0.02% of reading

Note1: The “abs.reading” for thermocouples and RTD means the absolute value of the reading in °C.

Example of “abs.reading”

When the temperature value is 250 Kelvin, “abs.reading” is 23.15.

|250-273.15|= 23.15

Note2: Ambient Temperature Effect per 10 °C change is ±0.1% or ±(temperature coefficient/span), whichever is greater.

Example of Ambient Temperature Effect

Conditions:

- 1) Input Sensor: Pt100
- 2) Calibration Range: -100 to 100°C
- 3) Reading value: -50°C

Ambient Temperature Effect per 10°C

Temperature Coefficient/Span=(0.08°C+0.02/100×|-50°C|)/{100°C-(-100°C)}= 0.00045 → 0.045%

Therefore, Ambient Temperature Effect is ±0.1%/10°C

## ■ MODEL AND SUFFIX CODES

Model	Suffix Codes	Description
<b>YTA610</b>	.....	Temperature Transmitter
Output signal	-J.....	4 to 20 mA DC with digital communication HART protocol
	-F.....	Digital communication (FOUNDATION Fieldbus protocol)
—	A.....	Always A (Global)
Sensor input	1.....	Single
	2.....	Double
Housing code	A.....	Aluminum
	C.....	Stainless
Electrical connection	0.....	G1/2 female
	2.....	1/2 NPT female
	4.....	M20 female
Integral indicator	D.....	Digital indicator with Local Operating Switch
	N.....	None
Mounting bracket	B.....	SUS304 stainless steel 2-inch horizontal pipe mounting bracket *1
	D.....	SUS304 stainless steel 2-inch vertical pipe mounting bracket
	J.....	SUS316 stainless steel 2-inch horizontal pipe mounting bracket *1
	K.....	SUS316 stainless steel 2-inch vertical pipe mounting bracket
	N.....	None
Option codes	/□ Optional specification	

\*1: For flat-panel mounting, please prepare bolts and nuts.

## ■ OPTIONAL SPECIFICATION

Item	Description		Code
Lightning protector *4	Allowable current: Max. 6000A(8×20μs), repeating 1000A(8×20μs), 100 times		<b>A</b>
Painting *1*6	Color and coating change Amplifier cover only*3	Color: Munsell code N1.5 Black Coating: High anti-corrosion coating	<b>P1</b>
		Color: Munsell code 7.5BG4/1.5, Jade green Coating: High anti-corrosion coating	<b>P2</b>
		Color: Metallic silver Coating: High anti-corrosion coating	<b>P7</b>
	Color and coating change Amplifier and terminal Covers*3	Color: Munsell code 7.5 R4/14, Red Coating: High anti-corrosion coating	<b>PR</b>
	Coating change	High anti-corrosion coating	<b>X2</b>
Output signal low-side in transmitter failure*2	Output signal Low-side: -5%, 3.2 mA DC or less. Sensor burnout is also set to 'Low': -2.5%, 3.6 mA DC.		<b>C1</b>
NAMUR NE43 compliant*2	Output signal limits: 3.8 mA to 20.5 mA	Failure alarm down-scale: output status at CPU failure and hardware error is -5%, 3.2 mA or less. Sensor burnout is also set to Low: -2.5%, 3.6 mA DC.	<b>C2</b>
		Failure alarm up-scale: output status at CPU failure and hardware error is 110%, 21.6 mA or more. In this case Sensor burnout is High: 110%, 21.6 mA DC.	<b>C3</b>
Data configuration*2	Description into "Descriptor" parameter of HART protocol (max. 16 characters)		<b>CA</b>
Wired tag plate	SUS316 stainless steel tag plate wired onto transmitter		<b>N4</b>
Sensor matching	RTD sensor matching function		<b>CM1</b>
Attached flameproof packing adapter*5*7	Electrical connection G1/2 female Applicable cable: O.D.8.0 to 12 mm	2pc.	<b>V52</b>
EAC approval and Russian pattern approval marking*8*10	EAC approval and Russian pattern approval marking		<b>VR</b>
EAC approval marking without Russian pattern approval marking*8*10	EAC approval marking without Russian pattern approval marking		<b>VE</b>
Manufacturing*9*11	Optional code to specify the manufacturing factory		<b>SG</b>

Note: The indication of the nameplate shows an initial shipment state.

\*1: Not applicable for Stainless housing.

\*2: Not applicable for Fieldbus type.

\*3: Except for Amplifier and terminal cover, color and coating are general specification.

\*4: Lightning protector (surge absorber) can be remove from, or added to the equipment.

\*5: Combination with other Explosion protected other than TIIS flameproof is not possible.

\*6: The combination of X2 and P□ is not possible.

\*7: Applicable for Electrical Connection code 4. (The thread of connection between YTA and CABLE GLAND is M20, and the thread of connection between CABLE GLAND and CABLE is G1/2.)

\*8: Combination with other Explosion protected other than EAC Explosion-proof type is not applicable.

\*9: If SG is not attached, it is made in China. It includes English name plate and English IM.

\*10: Selection of SG is required.

\*11: In principle when this code is specified, the product made in Singapore will be delivered.

**OPTIONAL SPECIFICATION (For Explosion Protected type)**

Item	Description	Code
ATEX	<p>4-20mA:                      [Intrinsically safe ia approval]                      Applicable Standard: EN 60079-0:2012+A11:2013, EN 60079-11:2012                      Certificate No. FM16ATEX0019X                      II 1 G Ex ia IIC T5...T4 Ga                      Ambient Temperature: -40 to 70°C for T4, -40 to 50°C for T5                      Enclosure: IP66/IP67                      Electrical parameters:                      Supply/Output circuit: Terminals: +, -                      Ui=30V, Ii=200mA, Pi=1.0W, Ci=22nF, Li=0mH                      Sensor circuit: Terminals: 1, 2, 3, 4, 5                      Uo=6V, Io=90mA, Po=135mW, Co=10µF, Lo=3.9mH                      Dielectric strength: 500 V a.c.r.m.s., 1 min (Without /A)</p> <p>[Intrinsically safe ic]                      Applicable Standard: EN 60079-0:2012+A11:2013, EN 60079-11:2012                      Certificate: Not Applicable as per Annex VIII to ATEX 2014/34/EU                      II 3 G Ex ic IIC T5...T4 Gc                      Ambient Temperature: -30 to 70°C for T4, -30 to 50°C for T5                      Enclosure: IP66/IP67                      Overvoltage category: I                      Electrical parameters:                      Supply/Output circuit: Terminals: +, -                      Ui=32V, Ci=2.2nF, Li=0mH                      Sensor circuit: Terminals: 1, 2, 3, 4, 5                      Uo=6V, Io=90mA, Po=135mW, Co=10µF, Lo=3.9mH                      Dielectric strength: 500 V a.c.r.m.s., 1 min (Without /A)</p> <p>[Flameproof and Dust Ignition Proof Approval]                      Applicable Standard: EN 60079-0:2012+A11:2013, EN 60079-1:2014, EN 60079-31:2014                      Certificate: KEMA 07ATEX0130                      II 2 G Ex db IIC T6/T5 Gb, II 2 D Ex tb IIIC T70°C/T90°C Db                      Ambient Temperature for Gas Atmospheres: -40 to 75°C for T6, -40 to 80°C for T5                      Ambient Temperature for Dust Atmospheres: -30 to 65°C for T70°C, -30 to 80°C for T90°C                      Enclosure: IP66/IP67                      Electrical Connection: 1/2 NPT female and M20 female*1</p>	<p><b>KU2</b></p>
	<p>Fieldbus:                      [Intrinsically safe ia approval]                      Applicable Standard: EN 60079-0:2012+A11:2013, EN 60079-11:2012                      Certificate No. FM16ATEX0019X                      II 1 G Ex ia IIC T4 Ga                      Ambient Temperature: -55 to 60°C                      Enclosure: IP66/IP67                      Electrical parameters:                      Supply/Output circuit: Terminals: +, -                      FISCO field device or                      Ui=30V, Ii=300mA, Pi=1.2W, Ci=2.2nF, Li=0mH                      Sensor circuit: Terminals: 1, 2, 3, 4, 5                      Uo=6V, Io=90mA, Po=135mW, Co=10µF, Lo=3.9mH                      Dielectric strength: 500 V a.c.r.m.s., 1 min (Without /A)</p> <p>[Intrinsically safe ic]                      Applicable Standard: EN 60079-0:2012+A11:2013, EN 60079-11:2012                      Certificate: Not Applicable as per Annex VIII to ATEX 2014/34/EU                      II 3 G Ex ic IIC T4 Gc                      Ambient Temperature: -30 to 70°C                      Enclosure: IP66/IP67                      Overvoltage category: I                      Electrical parameters:                      Supply/Output circuit: Terminals: +, -                      FISCO field device or                      Ui=32V, Ci=2.2nF, Li=0mH                      Sensor circuit: Terminals: 1, 2, 3, 4, 5                      Uo=6V, Io=90mA, Po=135mW, Co=10µF, Lo=3.9mH                      Dielectric strength: 500 V a.c.r.m.s., 1 min (Without /A)</p> <p>[Flameproof and Dust Ignition Proof Approval]                      Same as KU2</p>	<p><b>KU25</b></p>

Item	Description	Code
IECEx	<p>4-20mA:                      [Intrinsically safe ia, ic approval]                      Applicable Standard: IEC 60079-0:2011, IEC 60079-11:2011                      Certificate No. IECEx FMG 16.0014X                      Ex ia IIC T5...T4 Ga                      Ex ic IIC T5...T4 Gc                      Ambient Temperature: -40 to 70°C for T4, -40 to 50°C for T5(Ex ia)                      Ambient Temperature: -30 to 70°C for T4, -30 to 50°C for T5(Ex ic)                      Enclosure: IP66/IP67                      Over voltage category: I                      Electrical parameters (Ex ia)                          Supply/Output circuit: Terminal: +, -                          U<sub>i</sub>=30V, I<sub>i</sub>=200mA, P<sub>i</sub>=1.0W, C<sub>i</sub>=22nF, L<sub>i</sub>=0mH                          Sensor circuit: Terminals: 1, 2, 3, 4, 5                          U<sub>o</sub>=6V, I<sub>o</sub>=90mA, P<sub>o</sub>=135mW, C<sub>o</sub>=10μF, L<sub>o</sub>=3.9mH                      Electrical parameters (Ex ic)                          Supply/Output circuit: Terminal: +, -                          U<sub>i</sub>=30V, C<sub>i</sub>=22nF, L<sub>i</sub>=0mH                          Sensor circuit: Terminals: 1, 2, 3, 4, 5                          U<sub>o</sub>=6V, I<sub>o</sub>=90mA, P<sub>o</sub>=135mW, C<sub>o</sub>=10μF, L<sub>o</sub>=3.9mH                      Dielectric strength: 500 V a.c.r.m.s., 1 min (Without /A)                      [Flameproof and Dust Ignition Proof Approval]                      Applicable standard: IEC 60079-0:2011, IEC 60079-1:2014, IEC 60079-31:2013                      Certificate: IECEx KEM 07.0044                      Ex db IIC T6/T5 Gb, Ex tb IIC T70°C/T90°C Db                      Ambient Temperature for Gas Atmospheres: -40 to 75°C (-40 to 167°F) for T6,                      -40 to 80°C (-40 to 176°F) for T5                      Ambient Temperature for Dust Atmospheres: -30 to 65°C (-22 to 149°F) for T70°C,                      -30 to 80°C (-22 to 176°F) for T90°C                      Enclosure: IP66/IP67                      Electrical Connection: 1/2 NPT female and M20 female*1</p>	SU2
	<p>Fieldbus:                      [Intrinsically safe ia approval]                      Applicable Standard: IEC 60079-0: 2011, IEC 60079-11: 2011                      Certificate No. IECEx FMG 16.0014X                      Ex ia IIC T4 Ga                      Ex ic IIC T4 Gc                      Ambient Temperature: -55 to 60°C (Ex ia)                      Ambient Temperature: -30 to 70°C (Ex ic)                      Enclosure: IP66/IP67                      Overvoltage category: I                      Electrical parameters (Ex ia)                          Supply/Output circuit: Terminals: +, -                          FISCO field device or                          U<sub>i</sub>=30V, I<sub>i</sub>=300mA, P<sub>i</sub>=1.2W, C<sub>i</sub>=2.2nF, L<sub>i</sub>=0mH                          Sensor circuit: Terminals: 1, 2, 3, 4, 5                          U<sub>o</sub>=6V, I<sub>o</sub>=90mA, P<sub>o</sub>=135mW, C<sub>o</sub>=10μF, L<sub>o</sub>=3.9mH                      Electrical parameters (Ex ic)                          Supply/Output circuit: Terminals: +, -                          FISCO field device or                          U<sub>i</sub>=32V, C<sub>i</sub>=2.2nF, L<sub>i</sub>=0mH                          Sensor circuit: Terminals: 1, 2, 3, 4, 5                          U<sub>o</sub>=6V, I<sub>o</sub>=90mA, P<sub>o</sub>=135mW, C<sub>o</sub>=10μF, L<sub>o</sub>=3.9mH                      Dielectric strength: 500 V a.c.r.m.s., 1 min (Without /A)                      [Flameproof and Dust Ignition Proof Approval]                      Same as SU2</p>	SU25



Item	Description	Code
FM (US)	<p>4-20mA:                      [Intrinsically safe approval/non-incendive approval]                      Applicable standard: FM Class 3600:2011, FM Class 3610:2015, FM Class 3611:2004, FM Class 3810:2005, ANSI/ISA-60079-0:2013, ANSI/ISA-60079-11:2014, NEMA 250:2003, ANSI/IEC 60529:2004                      Intrinsically safe for                      Class I, II, III Division 1, Groups A, B, C, D, E, F, G, T5...T4                      Class I Zone 0 AEx ia IIC T5...T4                      Non-incendive for                      Class I, II, Division 2, Groups A, B, C, D, F, G, T5...T4                      Class III, Division 1 T5...T4                      Class I Zone 2 Group IIC T5...T4                      Ambient Temperature: -40 to 70°C for T4, -40 to 50°C for T5                      Enclosure Type 4X, IP66/IP67                      Electrical parameters:                      Intrinsically safe for                      Supply/Output circuit: Terminals: +, -                      U<sub>i</sub>=30V, I<sub>i</sub>=200mA, P<sub>i</sub>=1.0W, C<sub>i</sub>=22nF, L<sub>i</sub>=0mH                      Sensor circuit: Terminals: 1, 2, 3, 4, 5                      U<sub>o</sub>=6V, I<sub>o</sub>=90mA, P<sub>o</sub>=135mW, C<sub>o</sub>=10µF, L<sub>o</sub>=3.9mH                      Non-incendive for                      Supply/Output circuit: Terminals: +, -                      U<sub>i</sub>=30V, C<sub>i</sub>=22nF, L<sub>i</sub>=0mH                      Sensor circuit: Terminals: 1, 2, 3, 4, 5                      U<sub>o</sub>=6V, I<sub>o</sub>=90mA, P<sub>o</sub>=135mW, C<sub>o</sub>=10µF, L<sub>o</sub>=3.9mH                      Dielectric strength: 500 V a.c.r.m.s., 1 min (Without /A)                      [Explosionproof approval]                      Applicable standard: FM Class 3600: 2011, FM Class 3615: 2006, FM Class 3810: 2005, NEMA250: 2014                      Class I, Division 1, Groups A, B, C and D.;                      Class II/III, Division 1, Groups E, F and G.                      "FACTORY SEALD, CONDUIT SEAL NOT REQUIRED."                      Enclosure Ratings: TYPE 4X                      Temperature Class: T6                      Ambient Temperature: -40 to 60°C (-40 to 140°F)                      Electrical Connection: 1/2NPT female*2</p>	FU1
	<p>Fieldbus:                      [Intrinsically safe approval/non-incendive approval]                      Applicable standard: FM Class 3600:2011, FM Class 3610:2015, FM Class 3611:2004, FM Class 3810:2005, ANSI/ISA-60079-0:2013, ANSI/ISA-60079-11:2014, NEMA 250:2003, ANSI/IEC 60529:2004                      Intrinsically safe for                      Class I, II, III Division 1, Groups A, B, C, D, E, F, G T4                      Class I Zone 0 AEx ia IIC T4                      Non-incendive for                      Class I, II, Division 2, Groups A, B, C, D, F, G T4                      Class III, Division 1 T4 Class I Zone 2 Group IIC T4                      Ambient Temperature: -55 to 60°C                      Enclosure Type 4X, IP66/IP67                      Electrical parameters:                      Intrinsically safe for                      Supply/Output circuit: Terminals: +, -                      FISCO field device or                      U<sub>i</sub>=30V, I<sub>i</sub>=300mA, P<sub>i</sub>=1.2W, C<sub>i</sub>=2.2nF, L<sub>i</sub>=0mH                      Sensor circuit: Terminals: 1, 2, 3, 4, 5                      U<sub>o</sub>=6V, I<sub>o</sub>=90mA, P<sub>o</sub>=135mW, C<sub>o</sub>=10µF, L<sub>o</sub>=3.9mH                      Non-incendive for                      Supply/Output circuit: Terminals: +, -                      U<sub>i</sub>=32V, C<sub>i</sub>=2.2nF, L<sub>i</sub>=0mH                      Sensor circuit: Terminals: 1, 2, 3, 4, 5                      U<sub>o</sub>=6V, I<sub>o</sub>=90mA, P<sub>o</sub>=135mW, C<sub>o</sub>=10µF, L<sub>o</sub>=3.9mH                      Dielectric strength: 500 V a.c.r.m.s., 1 min (Without /A)                      [Explosionproof approval]                      Same as FU1</p>	FU15

Item	Description	Code
<p>CSA*3 FM (Canada)*4</p>	<p>4-20mA: [Intrinsically safe approval/non-incendive approval] Applicable standard: CAN/CSA-C22.2 No. 94.2-07, C22.2 No.213:1987, CAN /CSA-C22.2 No. 60079-0:11, CAN/CSA-C22.2 No. 60079-11:14, CAN/CSA-C22.2 No. 60529:05, CAN/CSA-C22.2 No. 61010-1-12, CAN/CSA-C22.2 No. 61010-2-030-12 Intrinsically safe for Class I, II, III, Division 1, Groups A, B, C, D, E, F, G, T5...T4 Ex ia IIC T5...T4 Ga Non-incendive for Class I, II, Division 2, Groups A, B, C, D, F, G T5...T4 Class III Division 1 T5...T4 Ambient Temperature: -40 to 70°C for T4, -40 to 50°C for T5 Enclosure Type: 4X, IP66/IP67 Electrical parameters: Intrinsically safe for Supply/Output circuit: Terminals: +, - Ui=30V, Ii=200mA, Pi=1.0W, Ci=22nF, Li=0mH Sensor circuit: Terminals: 1, 2, 3, 4, 5 Uo=6V, Io=90mA, Po=135mW, Co=10µF, Lo=3.9mH Non-incendive for Supply/Output circuit: Terminals: +, - Ui=30V, Ci=22nF, Li=0mH Sensor circuit: Terminals: 1, 2, 3, 4, 5 Uo=6V, Io=90mA, Po=135mW, Co=10µF, Lo=3.9mH Dielectric strength: 500 V a.c.r.m.s.,1 min (Without /A) [Explosionproof approval] Applicable standard: C22.2 No. 0-10, C22.2 No. 0.4-04, C22.2 No. 25-M1966, C22.2 No. 30-M1986, C22.2 No. 94-M1991, C22.2 No. 142-M1987, C22.2 No. 157-92, C22.2 No. 213-M1987, C22.2 No.61010-1-12, C22.2 No. 61010-2-030-12 Class I, Groups B, C and D, Class II, Groups E, F and G, Class III. For Class I, Division2 Groups ABCD Locations "FACTORY SEALED, CONDUIT SEAL NOT REQUIRED" Enclosure TYPE 4X Temperature Class: T6 Ambient Temperature: -40 to 60°C Electrical Connection: 1/2 NPT female*2</p>	<p>CU1</p>
	<p>Fieldbus: [Intrinsically safe approval/non-incendive approval] Applicable standard: CAN/CSA-C22.2 No. 94.2-07, C22.2 No.213:1987, CAN /CSA-C22.2 No. 60079-0:11, CAN/CSA-C22.2 No. 60079-11:14, CAN/CSA-C22.2 No. 60529:05, CAN/CSA-C22.2 No. 61010-1-12, CAN/CSA-C22.2 No. 61010-2-030-12 Intrinsically safe for Class I, II, III, Division 1, Groups A, B, C, D, E, F, G T4 Ex ia IIC T4 Ga Non-incendive for Class I, II, Division 2, Groups A, B, C, D, F, G T4 Class III Division 1 T4 Ambient Temperature : -55 to 60°C Enclosure Type: 4X, IP66/IP67 Electrical parameters: Intrinsically safe for Supply/Output circuit: Terminals: +, - FISCO field device or Ui=30V, Ii=300mA, Pi=1.2W, Ci=2.2nF, Li=0mH Sensor circuit: Terminals: 1, 2, 3, 4, 5 Uo=6V, Io=90mA, Po=135mW, Co=10µF, Lo=3.9mH Non-incendive for Supply/Output circuit: Terminals: +, - Ui=32V, Ci=2.2nF, Li=0mH Sensor circuit: Terminals: 1, 2, 3, 4, 5 Uo=6V, Io=90mA, Po=135mW, Co=10µF, Lo=3.9mH Dielectric strength: 500 V a.c.r.m.s.,1 min (Without /A) [Explosionproof approval] Same as CU1</p>	<p>CU15</p>

Item	Description	Code
NEPSI	4-20mA and Fieldbus: [Flameproof and Dust Ignition Proof Approval] Applicable Standard: GB3836.1-2010, GB3836.2-2010, GB12476.1-2013, GB12476.5-2013 Certificate No. GYJ16.1396X Ex d IIC T6/T5 Gb, Ex tD A21 IP66/IP67 T70°C/T90°C Ambient Temperature for Gas Atmospheres: -40 to 75°C for T6, -40 to 80°C for T5 Ambient Temperature for Dust Atmospheres: -30 to 65°C for T70°C, -30 to 80°C for T90°C Enclosure: IP66/IP67 Electrical Connection: 1/2 NPT female and M20 female*1	NF2
	4-20mA: [Intrinsically safe approval ] Applicable Standard: GB 3836.1-2010, GB 3836.4-2010 GB 3836.20-2010 Certificate No. GYJ16.1423X Ex ia IIC T4/T5 Ga Ambient Temperature: -40 to 70°C for T4, -40 to 50°C for T5 Enclosure: IP66/IP67 in accordance with only IEC 60529 Entity Parameters: Supply/Output circuit: $U_i=30V$ , $I_i=200mA$ , $P_i=1.0W$ , $C_i=22nF$ , $L_i=0mH$ Sensor circuit: $U_o=6V$ , $I_o=90mA$ , $P_o=135mW$ , $C_o=10\mu F$ , $L_o=3.9mH$ Dielectric strength: 500 V a.c.r.m.s., 1 min [+ , - , C , 1 , 2 , 3 , 4 , 5] to Earth terminal [+ , - , C] to [1 , 2 , 3 , 4 , 5]	NS2*6
	Fieldbus: [Intrinsically safe approval] Applicable Standard: GB 3836.1-2010, GB 3836.4-2010, GB3836.20-2010 Certificate No. GYJ16.1423X Ex ia IIC T4 Ga Ambient Temperature: -55 to 60°C for T4 Enclosure: IP66/IP67 in accordance with only IEC 60529 FISCO field device Entity Parameters: Supply/Output circuit: $U_i=30V$ , $I_i=300mA$ , $P_i=1.2W$ , $C_i=2.2nF$ , $L_i=0mH$ Sensor circuit: $U_o=6V$ , $I_o=90mA$ , $P_o=135mW$ , $C_o=10\mu F$ , $L_o=3.9mH$ Dielectric strength: 500 V a.c.r.m.s., 1 min [+ , - , 1 , 2 , 3 , 4 , 5] to Earth terminal [+ , -] to [1 , 2 , 3 , 4 , 5]	NS25*6

Item	Description	Code
INMETRO <sup>6</sup>	[4-20mA & Fieldbus: Flameproof and dust ignition proof approval] Applicable Standard: ABNT NBR IEC 60079-0:2013 Versão Corrigida 2: 2016, ABNT NBR IEC60079-1:2016, ABNT NBR IEC 60079-31:2014 Certificate: DEKRA 16.0009 Ex db IIC T6/T5 Gb, Ex tb IIIC T70°C/ 90°C Db Ambient Temperature for Gas: -40 to +75°C for T6, -40 to +80°C for T5 Ambient Temperature for Dust: -30 to +65°C for T70°C, -30 to +80°C for T90°C Enclosure: IP66/IP67 Electrical Connection: 1/2 NPT female and M20 female*1	<p style="text-align: center;"><b>UF1</b></p>
	4-20mA: [Intrinsically safe approval ] Applicable Standard: ABNT NBR IEC 60079-0:2013 Versão Corrigida 2:2016, ABNT NBR IEC 60079-11:2013 Certificate: ABNT 17.0001X Ex ia IIC T5...T4 Ga Ambient Temperature: -40 to 70 °C for T4, -40 to 50 °C for T5 Enclosure: IP66/IP67 Supply/Output circuit: U <sub>i</sub> =30V, I <sub>i</sub> =200mA, P <sub>i</sub> =1.0W, C <sub>i</sub> =22nF, L <sub>i</sub> =0mH Sensor circuit: U <sub>o</sub> =6V, I <sub>o</sub> =90mA, P <sub>o</sub> =135mW, C <sub>o</sub> =10µF, L <sub>o</sub> =3.9mH Dielectric strength: 500 V a.c.r.m.s.,1 min (Without /A)	<p style="text-align: center;"><b>US1</b></p>
	Fieldbus: [Intrinsically safe approval "ia" ] Applicable Standard: ABNT NBR IEC 60079-0:2013 Versão Corrigida 2:2016, ABNT NBR IEC 60079-11:2013 Certificate: ABNT 17.0001X Ex ia IIC T4 Ga Ambient Temperature: -55 to 60 °C Enclosure: IP66/IP67 Supply/Output circuit: FISCO field device and U <sub>i</sub> =30V, I <sub>i</sub> =300mA, P <sub>i</sub> =1.2W, C <sub>i</sub> =2.2nF, L <sub>i</sub> =0mH Sensor circuit: U <sub>o</sub> =6V, I <sub>o</sub> =90mA, P <sub>o</sub> =135mW, C <sub>o</sub> =10µF, L <sub>o</sub> =3.9mH Dielectric strength: 500 V a.c.r.m.s.,1 min (Without /A) [Intrinsically safe approval "ic" ] Applicable Standard: ABNT NBR IEC 60079-0:2013 Versão Corrigida 2:2016, ABNT NBR IEC 60079-11:2013 Certificate: ABNT 17.0001X Ex ic IIC T4 Gc Ambient Temperature: -30 to 70 °C Enclosure: IP66/IP67 Overvoltage category: I Supply/Output circuit: FISCO field device and U <sub>i</sub> =32V, C <sub>i</sub> =2.2nF, L <sub>i</sub> =0mH Sensor circuit: U <sub>o</sub> =6V, I <sub>o</sub> =90mA, P <sub>o</sub> =135mW, C <sub>o</sub> =10µF, L <sub>o</sub> =3.9mH Dielectric strength: 500 V a.c.r.m.s.,1 min (Without /A)	<p style="text-align: center;"><b>US15</b></p>

Item	Description	Code
KOSHA* <sup>6</sup>	<p>[4-20mA &amp; Fieldbus: Flameproof and dust ignition proof approval]            Applicable Standard: Notice of Ministry of Labor No. 2016-54, harmonized with IEC 60079-0:2011, IEC 60079-1:2014, IEC 60079-31:2013            Certificate: 17-AV4BO-0457 (Flameproof)                              17-AV4BO-0458 (Dust Ignition Proof)            Ex d IIC T6/ T5, Ex tD A21 IP66/IP67 T70°C/ T90°C            Ambient Temperature for Gas Atmospheres: -40 to 75°C for T6, -40 to 80°C for T5            Ambient Temperature for Dust Atmospheres: -30 to 65°C for T70°C, -30 to 80°C for T90°C            Enclosure: IP66/IP67            Electrical Connection: 1/2 NPT female and M20 female*1</p>	PF2
	<p>4-20mA:            [Intrinsically safe approval]            Applicable Standard: Notice of Ministry of Labor No. 2016-54, harmonized with IEC 60079-0: 2011, IEC 60079-11: 2011            Certificate: 17-AV4BO-0459X            Ex ia IIC T5...T4            Ambient Temperature: -40 to 70 °C for T4, -40 to 50 °C for T5            Enclosure: IP66/IP67            Supply/Output circuit:            Terminals: +, -                U<sub>i</sub>=30V, I<sub>i</sub>=200mA, P<sub>i</sub>=1.0W, C<sub>i</sub>=22nF, L<sub>i</sub>=0mH            Sensor circuit:            Terminals: 1, 2, 3, 4, 5                U<sub>o</sub>=6V, I<sub>o</sub>=90mA, P<sub>o</sub>=135mW, C<sub>o</sub>=10μF, L<sub>o</sub>=3.9mH            Dielectric strength: 500 V a.c.r.m.s., 1 min (Without /A)            Electrical Connection: 1/2 NPT female and M20 female*1</p>	PS2
	<p>Fieldbus:            [Intrinsically safe approval]            Applicable Standard: Notice of Ministry of Labor No. 2016-54, harmonized with IEC 60079-0: 2011, IEC 60079-11: 2011            Certificate: 17-AV4BO-0459X            Ex ia IIC T4            Ambient Temperature: -55 to 60°C            Enclosure: IP66/IP67            Supply/Output circuit:            Terminals: +, -                FISCO field device and                U<sub>i</sub>=30V, I<sub>i</sub>=300mA, P<sub>i</sub>=1.2W, C<sub>i</sub>=2.2nF, L<sub>i</sub>=0mH            Sensor circuit:            Terminals: 1, 2, 3, 4, 5                U<sub>o</sub>=6V, I<sub>o</sub>=90mA, P<sub>o</sub>=135mW, C<sub>o</sub>=10μF, L<sub>o</sub>=3.9mH            Dielectric strength: 500 V a.c.r.m.s., 1 min (Without /A)            Electrical Connection: 1/2 NPT female and M20 female*1</p>	PS25

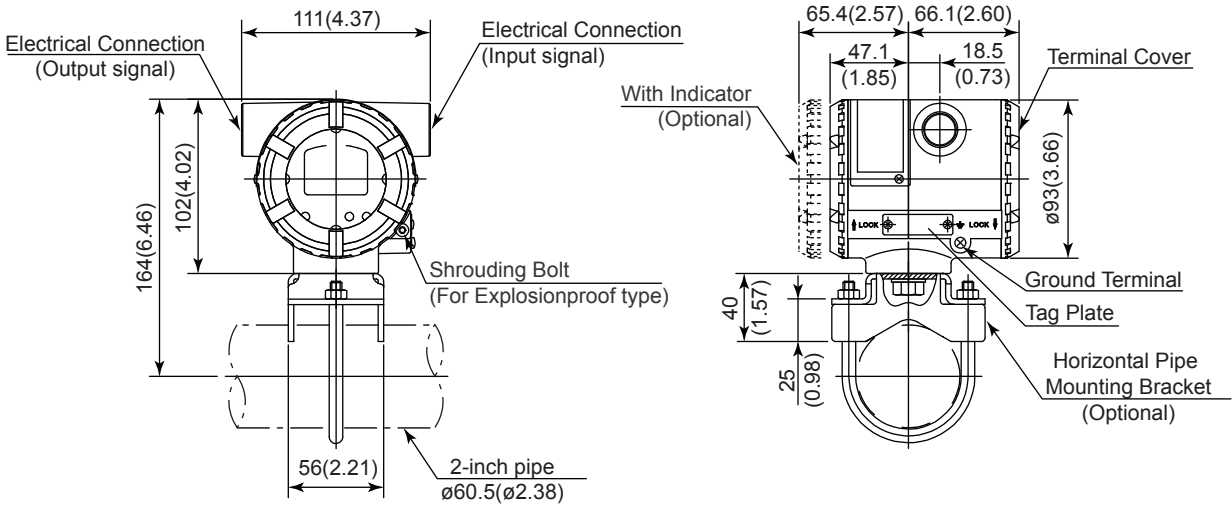
Item	Description	Code
EAC*6	[4-20mA & Fieldbus: Flameproof and dust ignition proof approval] Applicable Standard: GOCT 31610.0-2014 GOCT IEC 60079-1-2013 GOCT IEC 60079-31-2013 Certificate: TC RU C-JP.ПБ98.B.00040 1Ex db IIC T6...T5 Gb, Ex tb IIIC T70 °C...T90 °C Db Ambient Temperature for Gas Atmospheres: -40 to 75°C for T6, -40 to 80°C for T5 Ambient Temperature for Dust Atmospheres: -30 to 65°C for T70°C, -30 to 80°C for T90°C Enclosure: IP66/IP67 Electrical Connection: 1/2 NPT female and M20 female*1	GF1*5
	4-20mA: [Intrinsically safe approval] Applicable Standard: GOCT 31610.0-2014 GOCT 31610.11-2014 Certificate: TC RU C-JP.ПБ98.B.00040 0Ex ia IIC T4...T5 Ga X Ambient Temperature: -40 to 70 °C for T4, -40 to 50 °C for T5 Enclosure: IP66/IP67 Supply/Output circuit: Terminals: +, - Ui=30V, Ii=200mA, Pi=1.0W, Ci=22nF, Li=0mH Sensor circuit: Terminals: 1, 2, 3, 4, 5 Uo=6V, Io=90mA, Po=135mW, Co=10µF, Lo=3.9mH Dielectric strength: 500 V a.c.r.m.s., 1 min (Without /A) Electrical Connection: 1/2 NPT female and M20 female*1	GS1*5
	Fieldbus: [Intrinsically safe approval] Applicable Standard: GOCT 31610.0-2014 GOCT 31610.11-2014 Certificate: TC RU C-JP.ПБ98.B.00040 0Ex ia IIC T4 Ga X Ambient Temperature: -55 to 60°C Enclosure: IP66/IP67 Supply/Output circuit: Terminals: +, - FISCO field device and Ui=30V, Ii=300mA, Pi=1.2W, Ci=2.2nF, Li=0mH Sensor circuit: Terminals: 1, 2, 3, 4, 5 Uo=6V, Io=90mA, Po=135mW, Co=10µF, Lo=3.9mH Dielectric strength: 500 V a.c.r.m.s., 1 min (Without /A) Electrical Connection: 1/2 NPT female and M20 female*1	GS15*5

- \*1: Applicable for Electrical Connection Code 2 and 4.
- \*2: Applicable for Electrical Connection Code 2.
- \*3: For Explosionproof approval.
- \*4: For Intrinsically safe approval/non-incendive approval.
- \*5: GF1, /GS1 and /GS15 shall be combined with either /VE or /VR.
- \*6: Selection of SG is required.

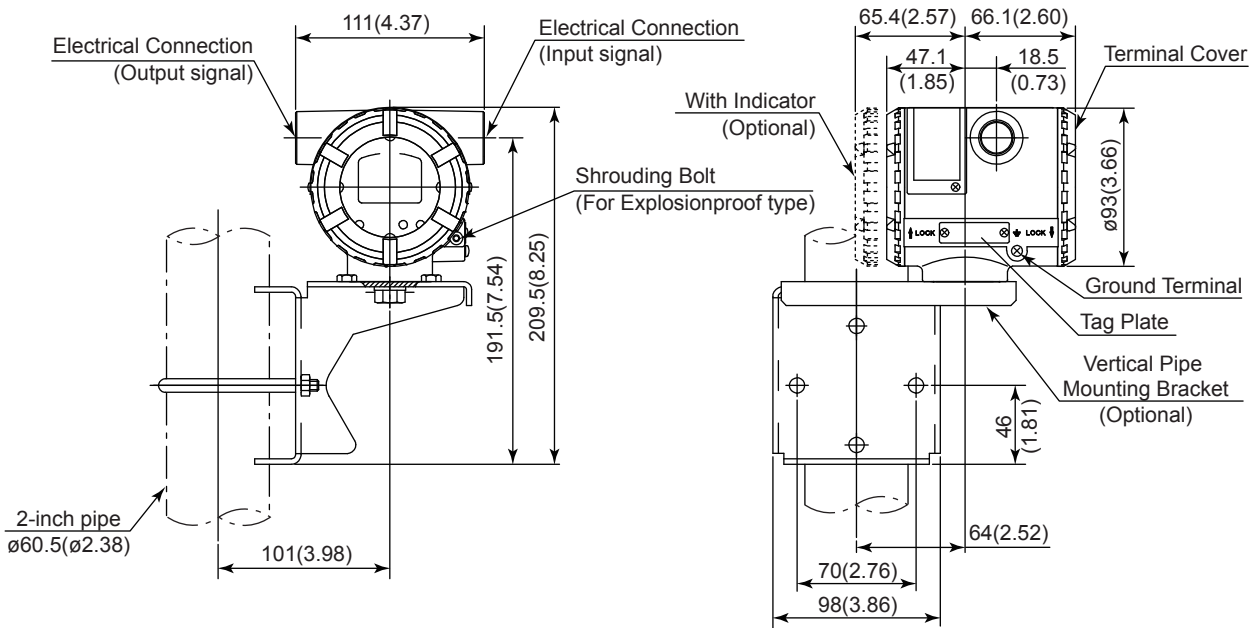
**■ DIMENSIONS**

Unit: mm (Approx. inch)

● **2-inch horizontal pipe mounting**

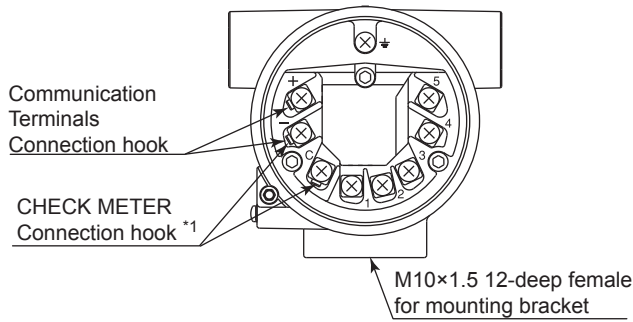


● **2-inch vertical pipe mounting**



F02E.ai

● Terminals



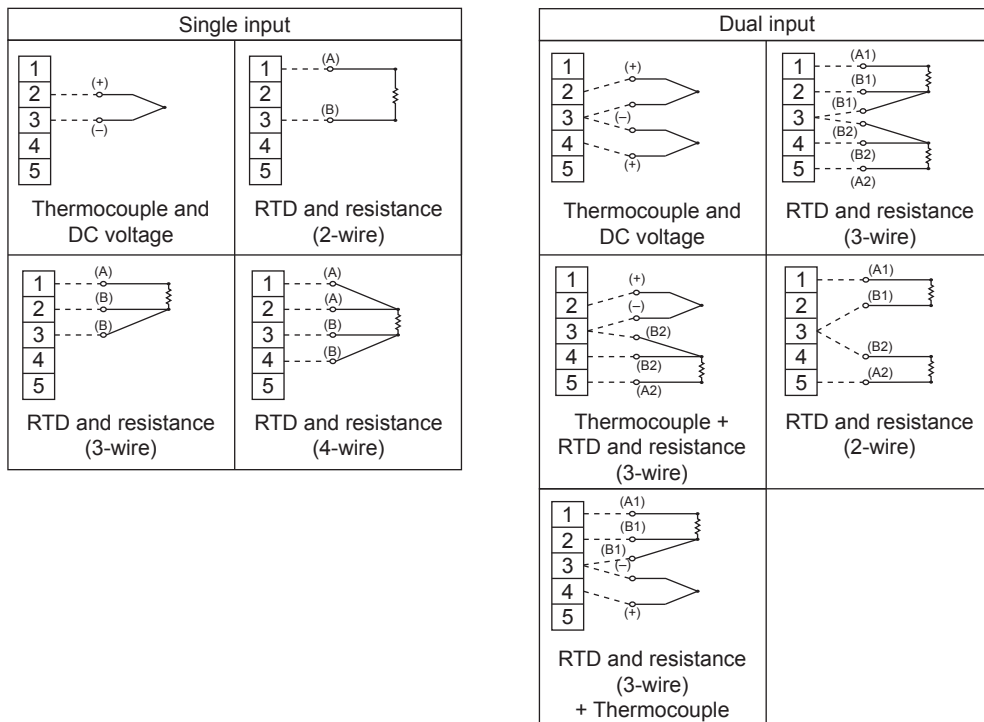
Terminal Configuration

+	Power supply and output terminal
-	External indicator (ammeter) terminal *1
⏏	Ground terminal

\*1 : When using an external indicator or a check meter, the internal resistance must be 10Ω or less. The hook is not available for Fieldbus communication type.

F03E.ai

● Input Wiring



F04E.ai



**< Ordering Information >**

Specify the following when ordering Model, suffix codes, and optional codes.

If not specified, the instrument is shipped with the settings shown in Table A and B. Specify the following when necessary.

**4-20mA type (HART type)**

1. Sensor type.  
For RTD and resistance input, specify the number of wire as well. (Example: Pt100 3-wire system)  
For sensor input code-2, specify the type for two inputs. In this case, PV (Sensor1 value) and SV (Sensor2 value) are alternately displayed on the integral indicator with sensor back up DISABLE.
2. Calibration range and unit
  - 1) Calibration range can be specified within the measurement range shown in Table 1. Also, set the upper limit is larger than the lower limit.
  - 2) Specify one range from °C, K, °F or °R for temperature input. It is not necessary to specify the unit of mV and ohm inputs, for these units automatically will be mV or Ω.
3. Tag Number (if required)  
Specify Tag number (up to 16 Characters) to be engraved on the tag plate. The specified letters are written on Tag (16 Characters) in the amplifier memory.
4. Software tag  
Specified characters (up to 32 characters) are set as "Tag" (the first 8 characters) and "Long tag" (32 characters) in the amplifier memory. Use alphanumeric capital letters. When the "SOFTWARE TAG" is not specified, "TAG NO" is set as "Tag" (the first 8 characters) and "Long tag" (32 characters) in the amplifier memory.
5. Other factory configurations  
Specifying option code CA will allow further configuration at factory.  
Descriptor (up to 16 characters)
6. Sensor back up  
Select 'DISABLE' or 'ENABLE'.

**Fieldbus type**

1. Sensor type.  
For RTD and resistance input, specify the number of wire as well. For sensor input code-2, specify the type for two inputs. (Example: Pt100 3-wire system)  
In this case, AI1 (Sensor1) value and AI2 (Sensor2) value are alternately displayed on the integral indicator with sensor back up DISABLE.
2. Calibration range (XD\_SCALE)  
For sensor input code-2, specify the range for two inputs.
3. Units of calibration range:  
Specify only one unit from the table, 'Settings when shipped.' For sensor input code-2, specify the unit for two inputs.
4. Output mode (L\_TYPE)  
Select 'Direct' or 'Indirect.'
5. Output scale (OUT\_SCALE)  
For sensor input code-2, specify the scale for two inputs.
6. Output scale unit  
Specify only one unit from the table, 'Settings when shipped.' For sensor input code-2, specify the unit for two inputs.
7. Tag Number  
Specify Tag number (up to 16 Characters) to be engraved on the tag plate.
8. Software Tag (PD\_TAG)  
Specify software tag (up to 32 Characters) to be written on the amplifier memory.
9. Node Address
10. Operation Functional Class  
Select 'BASIC' or 'LINK MASTER'.
11. Sensor back up  
Select 'DISABLE' or 'ENABLE'.

< Factory Setting >

**Table A. 4-20mA type**

Input sensor type *1	"Pt100" or as specified in order
Wire connection (For RTD) *1	"3-wire system" or as specified in order
Calibration range	"0 to 100" or as specified in order
Calibration unit (TC and RTD)	"°C" or as specified in order
Sensor burnout *2	High (110%, 21.6 mA DC)
Output in Transmitter failure *2	High (110%, 21.6 mA DC or more)
Sensor backup	'DISABLE' or as specified
Tag No.	"Blank" or as specified in order

\*1: For sensor input code-2, sensor 2 is set in nonconnection.

\*2: Except when Optional code C1 or C2 is specified.

**Table B. Fieldbus type**

Input sensor type *1	"Pt100" or as specified in order
Wire connection (For RTD) *1	"3-wire system" or as specified in order
Calibration range *1	"0 to 100" or as specified in order
Calibration unit (TC and RTD)	"°C" or as specified in order
Output Scale *1	"0 to 100%"
Output mode	"Direct"
Node Address (in hexadecimal)	'0xF3' unless otherwise specified in order
Operation functional Class	'BASIC', or as specified in order
Sensor backup *2	'DISABLE' or as specified in order
Tag Number (Tag plate)	"Blank" or as specified in order
Software Tag (PD_TAG)	'TT1001' unless otherwise specified in order.

\*1: For sensor input code-2, sensor 2 is set in nonconnection.

\*2: Channel settings of AI function blocks depend on sensor backup setting.  
 Disable: AI1= Sensor1,  
           AI2= If Sensor2 type is specified then Sensor2 else Terminal temperature  
 Enable: AI1= Backup temperature,  
           AI2= Terminal temperature

<Information on EU WEEE Directive>

EU WEEE (Waste Electrical and Electronic Equipment) Directive is only valid in the EU.

This instrument is intended to be sold and used only as a part of equipment which is excluded from WEEE Directive, such as large-scale stationary industrial tools, a large-scale fixed installation and so on, and, therefore, subjected to the exclusion from the scope of the WEEE Directive. The instrument should be disposed of in accordance with local and national legislation/regulations.