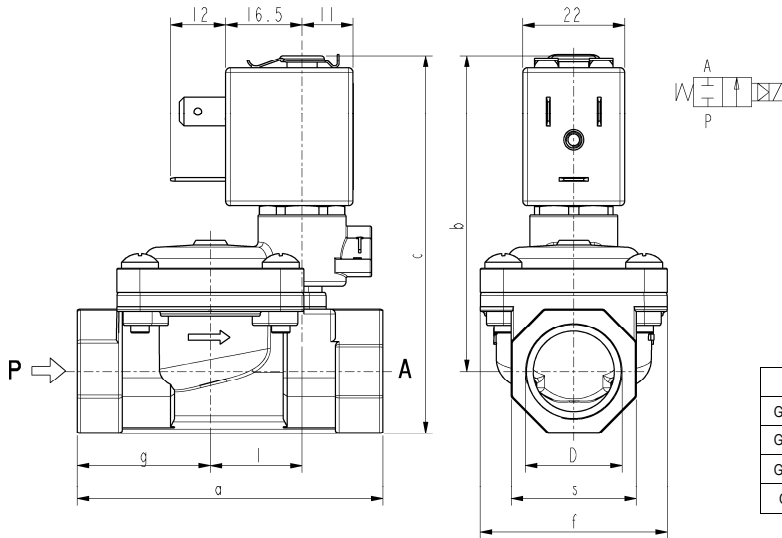




SOLENOID VALVE
2/2- NC (Normally closed)
Pilot operated
G3/8 - G1

L182
STAINLESS STEEL



D	a	b	c	f	g	l	s
G 3/8	60	66	77	40	25,5	20	22
G 1/2	66	68	82	40	29	20	27
G 3/4	79	72,5	89	50	35,5	24,5	33
G 1	105	85	106	71	46	28	42

► **GENERAL FEATURES**

Diaphragm valve, pilot operated, having full orifice.
 Suitable to shut off liquid and gaseous fluids (verify the compatibility of fluid with material in contact).

► **TECHNICAL FEATURES**

Maximum allowable pressure (PS)	20bar
Opening time	from ~300ms to ~1500ms
Closing time	from ~1000ms to ~2000ms
Fluid temperature	-10°C +90°C (NBR) 0°C +130°C (FPM) -10°C +140°C (EPDM)
Max viscosity	5°E (~37 cStokes or mm ² /s)

► **MATERIALS IN CONTACT WITH FLUID**

Body	Stainless steel AISI 316L
Sealing	NBR or FPM or EPDM
Internal components	Stainless steel
Seat	Stainless steel AISI 316L
Core tube	Stainless steel
Shading coil	Copper

► **COIL**

Approval
 Encapsulation material
 Insulation class
 Ambient temperature
 Continuous duty
 Electric connection
 Protection degree
 Voltages DC
 AC

ZB12A	ZB14A
UL and CSA	
PET fiberglass reinforced	
F (155°C)	H (180°C)
-10°C +60°C	-10°C +75°C
ED 100%	
DIN 46340 - 3 poles plug connector	
IP 67 (EN 60529) with plug connector	
12-24V (+10% -5%)	
24V/50-60Hz - 115V/50Hz - 230V/50-60Hz (+10% -15%)	
(Other voltages and frequencies on request)	
ZB12Y	ZB14Y
UL	
220-230V/50Hz 208-240V/60Hz (+10% -15%)	

On request

Approval
 Voltages AC

Port size ISO 228	Orifice size (mm)	Differential pressure (bar)				Kv (m ³ /h)	Series and type			Power absorption				Sealings	Notes	Weight (kg)	
		Δp max					Valve	Valve with manual override	Coil	AC (VA)			DC				
		Gases		Liquids						Inrush VA	Holding						W
		AC	DC	AC	DC						VA	W					
3/8	13,5	0,35	16	16	16	16	L182(*)09	L182(*)10	ZB12A	12	6	4	5,5	(*) = B (NBR)	1	0,30	
1/2			(12)	(12)	(12)	(12)										0,35	
3/4	18		12	12	12	12									(*) = V (FPM)	2	0,50
1	24		(10)	(10)	(10)	(10)											(*) = D (EPDM)

► **NOTES**

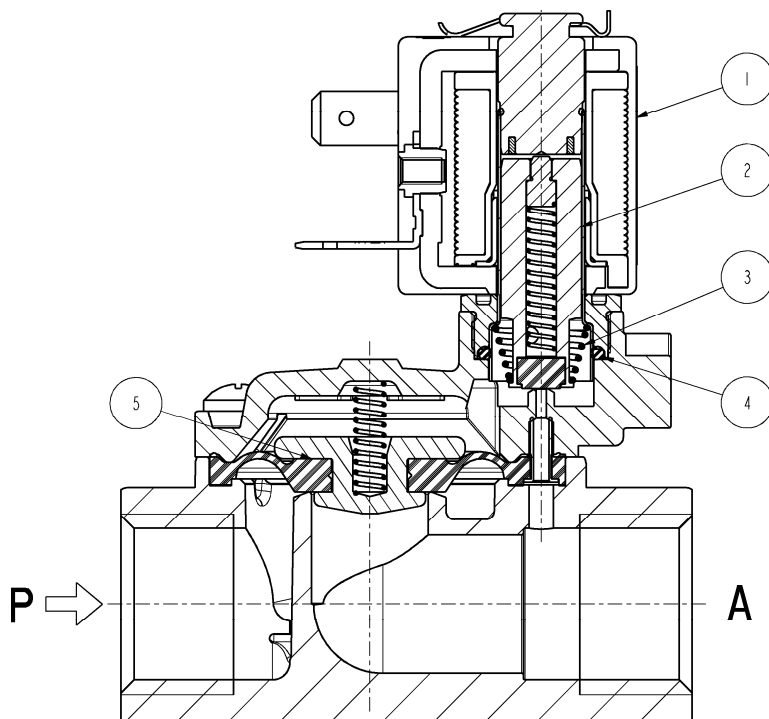
- Sealings: B(NBR) = Nitrile-butylene elastomer V(FPM) = Fluoro-carbon elastomer D(EPDM)=Ethylene-propylene elastomer (WRAS/KTW certified compound)
- Operation with gaseous media, at high pressure without any outlet restriction, can reduce the diaphragm life.
- On request coil in class H (ZB14A – see § "COIL")
- The bracketed values of Δp max are related to valves with FPM seals.
- 1 - Low power consumption coil on request ZB12C or ZB14C (3,5 VA in AC – 3W in DC): Δp max = 12 bar
- 2 - Low power consumption coil on request ZB12C or ZB14C (3,5 VA in AC – 3W in DC): Δp max = 8 bar

L182

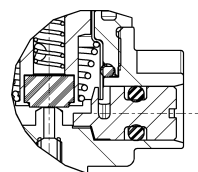
STAINLESS STEEL

► SPARE PARTS

L182B-V-D-09



L182B-V-D-10



Kit description

Kit P.N.

Consisting of:

Core kit

L182B-V
L182D

G3138201
G3138202

Core kit pos.2
Core return spring pos. 3
O-Ring guide assembly pos. 4

Diaphragm assembly

L182B	3/8-1/2	298593-003R
	3/4	298594-003R
	1	298592-003R
L182V	3/8-1/2	298593-001R
	3/4	298594-001R
	1	298592-001R
L182D	3/8-1/2	298593-002R
	3/4	298594-002R
	1	298592-002R

Diaphragm assembly pos.5

Coil

ZB12
ZB14

Coil pos.1

► **INSTALLATION**

- Solenoid valve can be mounted in any position; vertical with coil upwards preferred.

THE VALIDITY OF REPORTED DATA IS REFERRED TO THE DATE OF ISSUE. POSSIBLE UPDATES ARE AVAILABLE ON REQUEST.