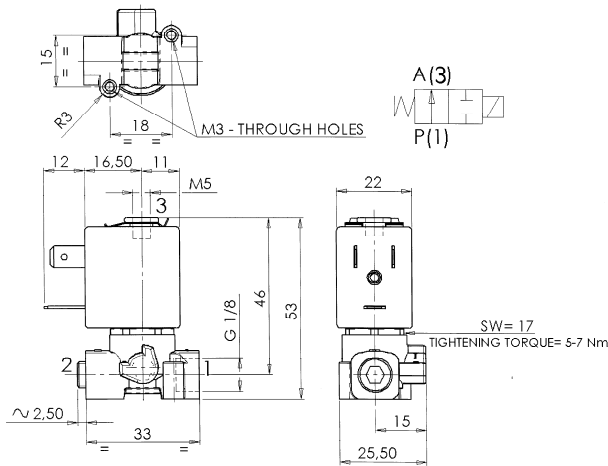




SOLENOID VALVE
2/2- NO (Normally open)
Direct acting
G 1/8

L272



► **GENERAL FEATURES**

Direct acting solenoid valve.
 Suitable to shut off liquid and gaseous fluids (verify the compatibility of fluid with material in contact).

► **TECHNICAL FEATURES**

Maximum allowable pressure (PS) 50bar
 Opening time ~10ms
 Closing time ~10ms
 Fluid temperature 0°C +130°C
 Max viscosity 5°E (~37 cStokes or mm²/s)

► **MATERIALS IN CONTACT WITH FLUID**

Body Brass
 Sealing FPM
 Internal components Stainless steel
 Seat Brass
 Core tube Stainless steel
 Shading coil Copper

► **COIL**

Approval
 Encapsulation material
 Insulation class
 Ambient temperature
 Continuous duty
 Electric connection
 Protection degree
 Voltages DC
 AC

ZB10A	ZB12A	ZB14A
/	UL and CSA	UL and CSA
PA fiberglass reinforced	PET fiberglass reinforced	PET fiberglass reinforced
F (155°C)	F (155°C)	H (180°C)
-10°C +60°C	-10°C +60°C	-10°C +75°C
ED 100%		
DIN 46340 - 3 poles plug connector		
IP 65 (EN 60529) with plug connector	IP 67 (EN 60529) with plug connector	IP 67 (EN 60529) with plug connector
12-24V (+10% -5%)		
24V/50-60Hz - 115V/50Hz - 230V/50-60Hz (+10% -15%)		
(Other voltages and frequencies on request).		

Port size ISO 228	Orifice size (mm)	Differential pressure (bar)				Kv (m³/h)	Series and type		Power absorption				Sealings	Notes	Weight (kg)	
		Δp min	Δp max				Valve	Coil	AC (VA)			DC				
			Gases		Liquids				Inrush		Holding					
			AC	DC	AC				DC	VA	VA					W
G1/8	1,2	0	10	10	10	10	0,05	L272V03	ZB10A ZB12A	12	6	4	5,5	FPM	1	0,160

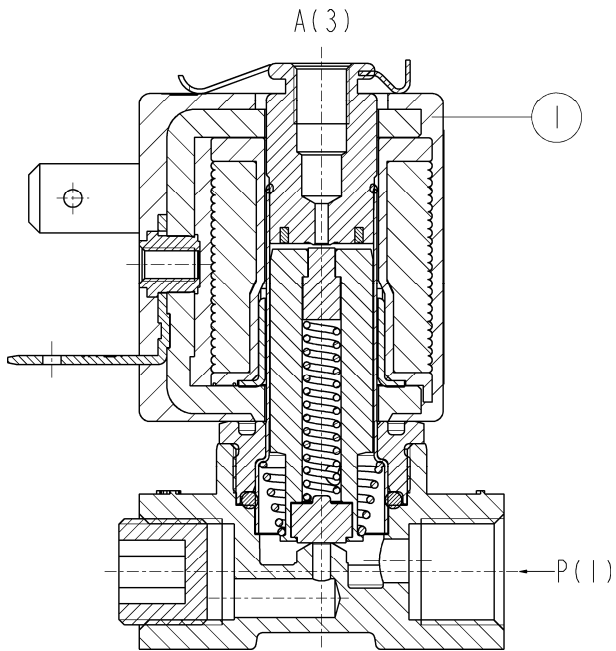
► **NOTES**

- Sealings: FPM = Fluoro-carbon elastomer
- On request: - version with manual override: L272V01
- sealings in EPDM (Ethylene-propylene elastomer): L272D03
- body valve in stainless steel AISI 316: L272V07
- body valve with special surface treatments
- coil in class H (ZB14A – see § "COIL")
- grease/oil free versions

1 – ZB12 and ZB14 coils fitted with sealing gaskets underneath and on the upper part (see sectional view on the back)

► SPARE PARTS

WITH ZB10A COIL



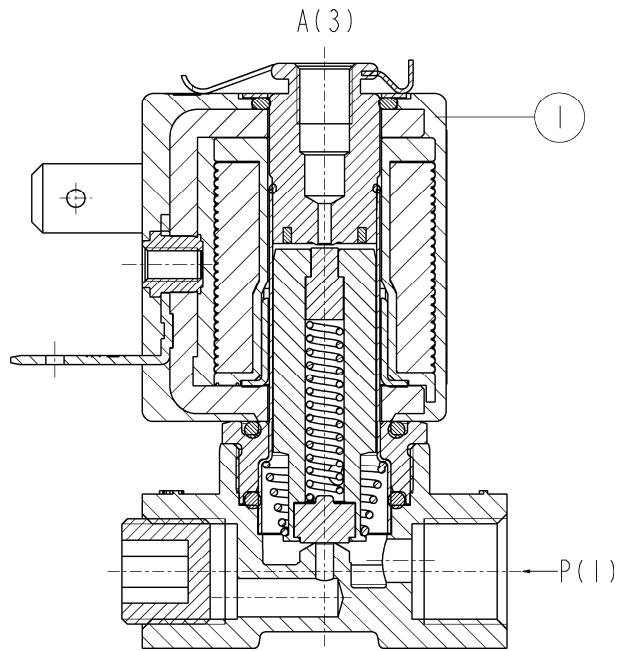
Kit description

Coil

Kit P.N.

ZB10A
ZB12A
ZB14A

WITH ZB12A – ZB14A



Consisting of:

Coil pos.1

► INSTALLATION

- Solenoid valve can be mounted in any position; vertical with coil upwards preferred.

THE VALIDITY OF REPORTED DATA IS REFERRED TO THE DATE OF ISSUE. POSSIBLE UPDATES ARE AVAILABLE ON REQUEST