



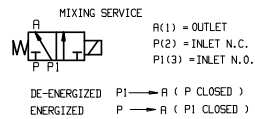
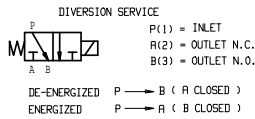
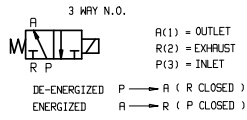
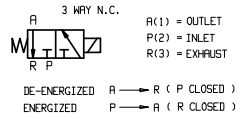
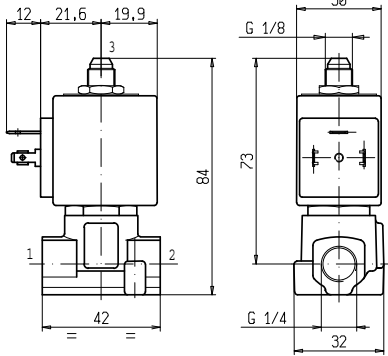
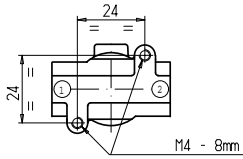
# SOLENOID VALVE

## 3/2 - NC - NO - UF (Universal function)

### Direct acting

### G 1/4

L321



#### ► GENERAL FEATURES

Direct acting solenoid valve.  
Suitable to shut off liquid and gaseous fluids (verify the compatibility of fluid with materials in contact).

#### ► TECHNICAL FEATURES

Maximum allowable pressure (PS) 40 bar  
Opening time ~20ms  
Closing time ~20ms  
Fluid temperature -10°C +90°C (NBR)  
0°C +130°C (FPM)  
Max viscosity 5°E (~37 cStokes or mm<sup>2</sup>/s)

#### ► MATERIALS IN CONTACT WITH FLUID

Body Brass  
Sealing NBR or FPM  
Internal components Stainless steel  
Seat Brass  
Guide assembly Stainless steel  
Shading ring Copper

#### ► COIL

Continuous duty ED 100%  
Encapsulation material PET (polyethylene terephthalate) fiberglass reinforced  
Coil insulation class F (155°C) on request class H (180°C) - UL  
Ambient temperature -10°C +50°C  
Electric connections DIN 46340 - 3 poles connectors (DIN 43650)  
Protection degree IP 65 (EN 60529) with plug connector  
Voltages DC ZA30E: 12-24V (+10% -5%)  
AC ZA30A: 24V/50Hz - 110V/50Hz (120V/60Hz) - 230V/50Hz (+10% -15%)  
(Other voltages and frequencies on request)

Port size ISO 228	Orifice size (mm)	Differential pressure (bar)				Kv (m <sup>3</sup> /h)	Series and type		Power absorption			Sealings	Function Notes	Weight (kg)	
		Δp min	Δp max				Valve	Coil	AC (VA)		DC (W)				
			AC	DC	AC				DC	Inrush					Holding
G 1/4	2,3	0	8	-	8	-	0,14	L321B02C	ZA30A	23	14	-	NBR	NC - 1	0,380
			-	8	-	8			ZA30E	-	-	12		NC	
			8	-	8	-		L321V02C	ZA30A	23	14	-	FPM	NC - 1	
			-	8	-	8			ZA30E	-	-	12		NC	
			8	-	8	-		L321B02A	ZA30A	23	14	-	NBR	NO - 1-2	
			-	8	-	8			ZA30E	-	-	12		NO - 2	
			5	-	5	-		L321V02G	ZA30A	23	14	-	FPM	UF - 1	
			-	5	-	5			ZA30E	-	-	12		UF	

#### ► NOTES

- Sealings : NBR = Nitrile-butylene elastomer FPM = Fluoro-carbon elastomer  
- NC: Normally closed NO: Normally open UF: Universal function  
1 - On request special coil ZA32A, class "F", with UL or VDE homologated windings – see overleaf.  
2 - Model available on request only: ask for minimum quantity.

# L321

## ► SPECIAL COIL ZA32A

Continuous duty ED 100%  
 Encapsulation material PET (polyethylene terephthalate) fiberglass reinforced  
 Coil insulation class F (155°C)  
 Ambient temperature -10°C +50°C

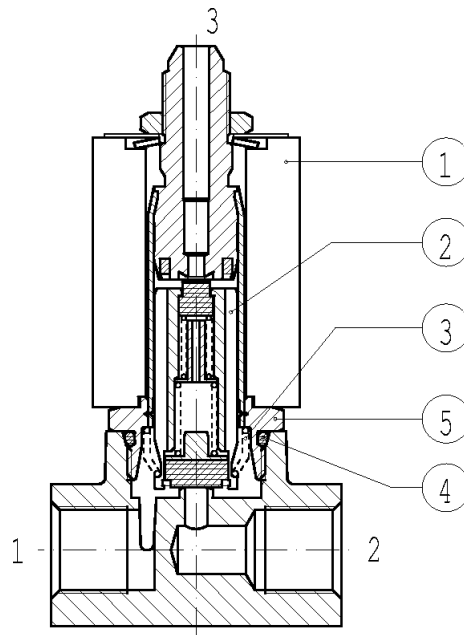
Ambient temperature DIN 46340 - 3 poles connectors (DIN 43650)  
 Electric connections IP 65 (EN 60529) with plug connector  
 Voltages AC 24V/50-60Hz (VDE) • 100V/50-60Hz • 115-120V/60Hz (UL)  
 200V/50-60Hz • 220-230V/50Hz - 208-240V/60Hz (UL) •  
 220-240V/50Hz (VDE) • (+10% -15%)

Port size ISO 228	Orifice size (mm)	Differential pressure (bar)				Kv (m <sup>3</sup> /h)	Series and type		Power absorption			Sealings	Function Notes	Weight (kg)	
		Δp min	Δp max				Valve	Coil	AC (VA)		DC (W)				
			Gases		Liquids				Inrush	Holding					
			AC	DC	AC										DC
G 1/4	2,3	0	8	-	8	-	L321B02C L321V02C L321B02A L321V02G	ZA32A	23	14	-	NBR	NC	0,380	
			8	-	8	-						FPM	NC		
			8	-	8	-						NBR	NO - 1		
			5	-	5	-						FPM	UF		

## ► NOTES

- Sealings : NBR = Nitrile-butylene elastomer FPM = Fluoro-carbon elastomer  
 - NC: Normally closed NO: Normally open UF: Universal function  
 1 - Model available on request only: ask for minimum quantity.

## ► SPARE PARTS



## Kit description

Core kit

L321B02C	G3038405
L321V02C	G3038404
L321B02A	G3064902
L321V02G	G3065101

Core return spring kit

L321B-V02C	G3065701
L321B02A	G3063601
L321V02G	G3022401

OR guide assembly kit

L321B02C-A	GU2421000017
L321V02C-G	GU2424000017

Guide pipe assembly

297779-001R

Coil

ZA30A  
 ZA30E  
 ZA32A

## Consisting of:

Core pos. 2  
 Core return spring pos. 3  
 OR guide assembly pos. 4

N.10 core return spring pos. 3

N.10 OR guide assembly pos. 5

Guide pipe assembly pos. 5

Coil pos. 1

## ► MOUNTING

Solenoid valve can be mounted in any position; vertical with coil upwards preferred.