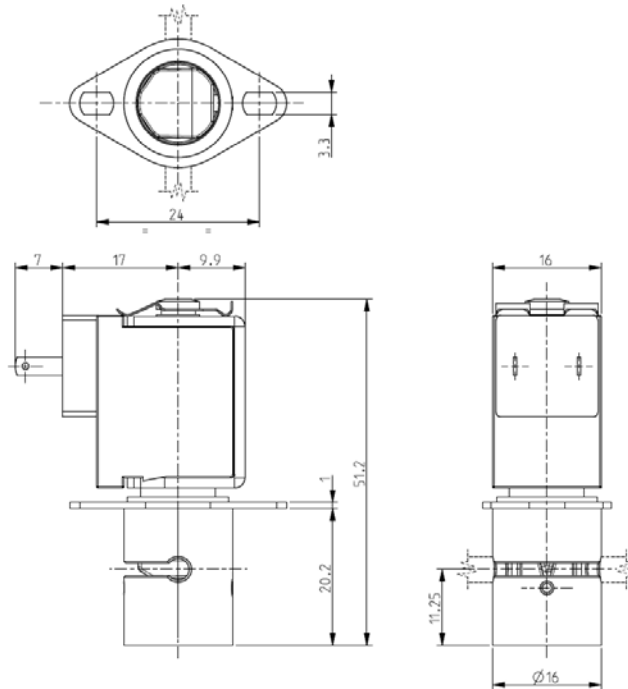




PINCH SOLENOID VALVE 2/2 – NC (Normally closed)

S104



► **GENERAL FEATURES**

Pinch solenoid valve, suitable to shut off media without producing neither turbulent flows, nor dead spaces.
High flow rate under the same conditions of internal diameter of different solenoid valves; the system allows a bi-directional through flow.
The valves are suitable for soft SILICONE tubings or others, similar as to elasticity and hardness (50 shore A).
Silent model.

The tubing is the only material in contact with the fluid.
The tubings are not included in our supply.

► **INSTALLATION**

Solenoid valve can be mounted in any position.

► **MATERIALS**

<i>Body</i>	Anodized aluminum
<i>Pinching device</i>	POM (reinforced acetal copolymer)
<i>Internal components</i>	Stainless steel
<i>Core tube</i>	Chemically nickel coated brass (Ni-P).

► **COIL**

<i>Continuous duty</i>	ED 100%
<i>Encapsulation material</i>	PA (Polyamide) fiberglass reinforced
<i>Insulation class</i>	F (155°C)
<i>Ambient temperature</i>	-10°C +60°C
<i>Electric connection</i>	DIN 46340
<i>Protection degree</i>	IP 40 (EN 60529) with female wire terminals 2.8x0.5 totally insulated
<i>Voltages</i>	DC 12-24V (+10% -5%) (Other voltages on request).

TUBINGS		Tubing minimum wall thickness (mm)	Pinching strength (kg)	Series and type		Power absorption (W)	Notes	Weight (kg)
I.D. (mm)	O.D. (mm)			Valve	Coil			
0,76	1,65	0,4	0,180	S104-07	ZE30A	4	1	0,050
1,02	2,16	0,5	0,220	S104-08				
1,57	3,18	0,7	0,280	S104-09				
1,98		0,5	0,250	S104-10				

► **NOTE**

- If the soft tubings are different from the ones indicated, it's important that the tubing minimum wall thickness is the same as shown in the table.
 - For the use of a soft tubing with outside diameter smaller than 2,2mm it is necessary to install the tubing guide sleeve (drawing K29501).
 - In case the tubing is not placed in its seat, the solenoid valve could operate incorrectly.
- 1 - Model available on request only; ask for minimum quantity.

THE VALIDITY OF REPORTED DATA IS REFERRED TO THE DATE OF ISSUE. POSSIBLE UPDATES ARE AVAILABLE ON REQUEST

0705/1301