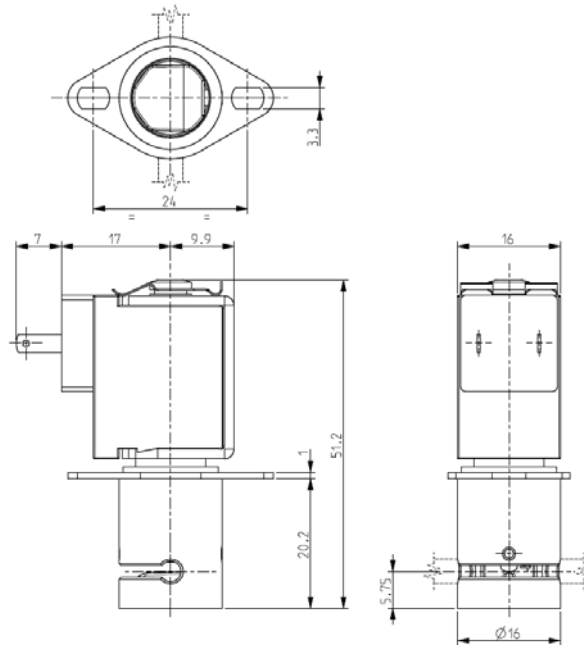




## PINCH SOLENOID VALVE 2/2 – NO (Normally open)

# S204



### ► GENERAL FEATURES

Pinch solenoid valve, suitable to shut off media without producing neither turbulent flows, nor dead spaces.  
High flow rate under the same conditions of internal diameter of different solenoid valves; the system allows a bi-directional through flow.  
The valves are suitable for soft SILICONE tubings or others, similar as to elasticity and hardness (50 shore A).

**The tubing is the only material in contact with the fluid.**  
The tubings are not included in our supply.

### ► INSTALLATION

Solenoid valve can be mounted in any position.

### ► MATERIALS

*Body* Anodized aluminum  
*Pinching device* POM (reinforced acetal copolymer)  
*Internal components* Stainless steel  
*Core tube* Chemically nickel coated brass (Ni-P).

### ► COIL

*Continuous duty* ED 100%  
*Encapsulation material* PA (Polyamide) fiberglass reinforced  
*Insulation class* F (155°C)  
*Ambient temperature* -10°C +60°C  
*Electric connection* DIN 46340  
IP 40 (EN 60529) with female wire terminals 2,8x0,5 totally insulated  
12-24V (+10% -5%)  
(Other voltages on request)

TUBINGS		Tubing minimum wall thickness (mm)	Pinching strength (kg)	Series and type		Power absorption (W)	Notes	Weight (kg)
I.D. (mm)	O.D. (mm)			Valve	Coil			
0,76	1,65	0,4	1,200	S204-04	ZE30A	4	-	0,050
1,02	2,16	0,5	1,300	S204-05				
1,57	3,18	0,7	0,600	S204-06				
1,98		0,5	0,900	S204-07				

### ► NOTE

- If the soft tubings are different from the ones indicated, it's important that the tubing minimum wall thickness is the same as shown in the table.
- For the use of a soft tubing with outside diameter smaller than 2,2mm it is necessary to install the tubing guide sleeve (drawing K29501).
- In case the tubing is not placed in its seat, the solenoid valve could operate incorrectly.