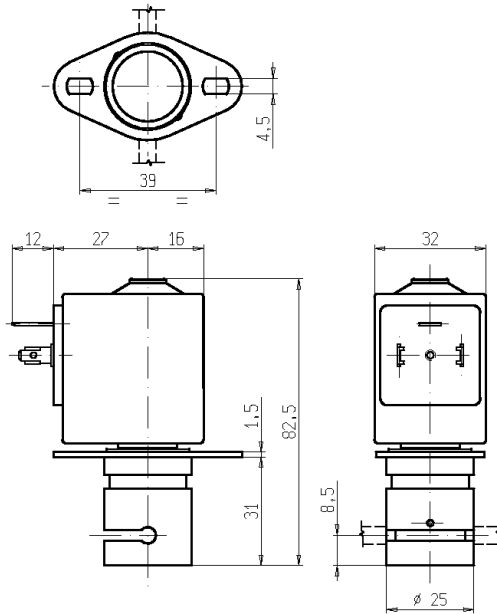




PINCH SOLENOID VALVE 2/2 – NO (Normally open)

S205



► GENERAL FEATURES

Pinch solenoid valve, suitable to shut off media without producing neither turbulent flows, nor dead spaces.
High flow rate under the same conditions of internal diameter of different solenoid valves; the system allows a bi-directional through flow.
The valves are suitable for soft SILICONE tubings or others, similar as to elasticity and hardness (50 shore A).
Silent model.

The tubing is the only material in contact with the fluid.

The tubings are not included in our supply.

► INSTALLATION

Solenoid valve can be mounted in any position.

► MATERIALS

Body

Pinching device

Internal components

Core tube

Anodized aluminum

POM (reinforced acetal copolymer)

Stainless steel

Chemically nickel coated brass (Ni-P).

► COIL

Continuous duty

Encapsulation material

Insulation class

Ambient temperature

Electric connection

Protection degree

Voltages DC

ED 100%

PET (polyethylene terephthalate) fiberglass reinforced

F (140°C)

-10°C +60°C

DIN 46340 - 3 poles plug-connectors (DIN 43650)

IP 65 (DIN 40050) with plug-connectors

12-24V (+10% -5%)

(Other voltages on request).

TUBINGS		Pinching strength (kg)	Series and type		Power absorption (W)	Notes	Weight (kg)
I.D. (mm)	O.D. (mm)		Valve	Coil			
2,7	4,9	0,500	S205-03	Z530A	9	-	0,275
3,4	4,7	1,200					

► NOTE

- For the use of a soft tubing with outside diameter smaller than 3,5mm it is necessary to install the tubing guide sleeve (drawing K29501).
- In case the tubing is not placed in its seat, the solenoid valve could operate incorrectly.